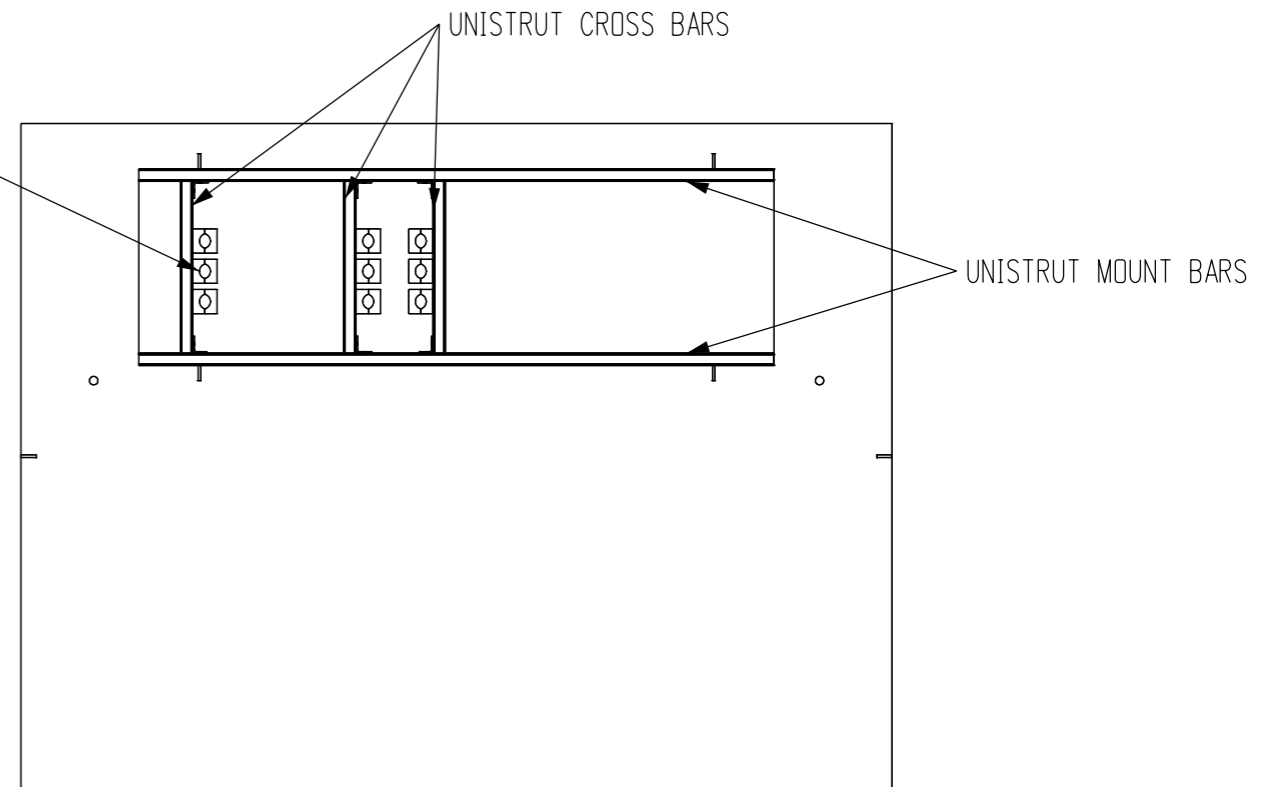


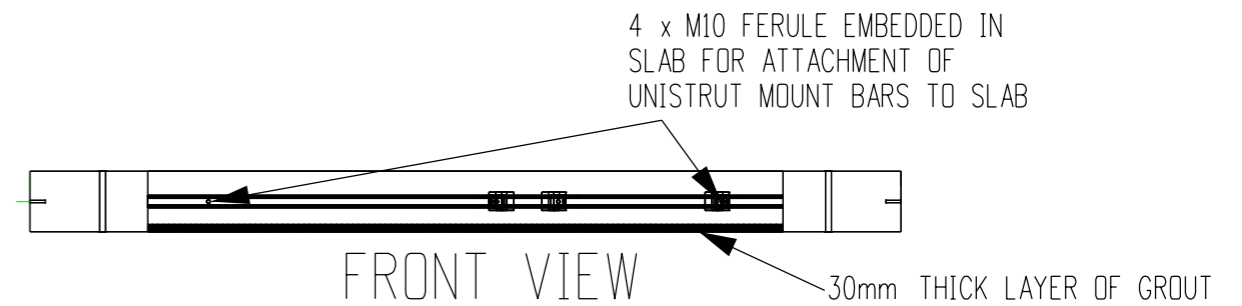
ISOMETRIC VIEW

SINGLE CORE CABLE CLEATS  
REFER S02-1-9-03



TOP VIEW


- NOTES:
1. FOUNDATION SHOWN IS FOR A 4 WAY (KKTK) MK2 SUBSTATION, HOWEVER CLAMPING ARRANGEMENT ALSO APPLIES TO STAND ALONE DRIESCHER RMUS
  2. UNISTRUT CROSS BARS AND CABLE CLEATS ARE IN INDICATIVE POSITIONS ONLY ACTUAL POSITIONS WILL BE DETERMINED BY SWITCHGEAR TYPE AND CABLE SIZES.
  3. UNISTRUT MOUNT BARS CAN BE CUT BACK BEYOND THE BOLTS SECURING THEM TO THE FOUNDATION AS REQUIRED.
  4. ALL UNISTRUT BARS ARE P1000 CHANNEL.
  5. CONNECT UNISTRUT CROSS BARS TO MOUNTING BARS WITH UNISTRUT P1026 ANGLE PLATES AND P1010 SPRING NUTS
  6. ALL UNISTRUT ITEMS AND BOLTS SHALL BE HOT DIPPED GALVANIZED.
  7. ALL CABLE CLEATS SHALL BE PWC APPROVED ITEMS. REFER TO S02-1-9-03.



FRONT VIEW

NO	DESCRIPTION	DRN	DATE	CKD	APPD
1	NOTE 7 ADDED	A.T.	JAN'15	B.C.	B.C.
0	ISSUED FOR CONSTRUCTION	A.T.	MAY'14	B.C.	B.C.
AMENDMENTS					



DES	A.T.	POWER STANDARD DRAWING		
DRN	A.T.	<b>CIVIL CABLE CLAMPING ARRANGMENTS IN FOUNDATION SLABS</b>		
CKD	B.C.			
APPD	B.C.			
SCALE	1:25			
ISSUED	MAY'14	<b>A3</b>	<b>DRAWING NUMBER</b>	<b>S02-2-6-36</b>
ALL DIM.	IN mm			
DRAFTING STANDARD TO A.S.1100		CAD PRODUCT - DO NOT AMEND MANUALLY		 <b>AMDT</b>