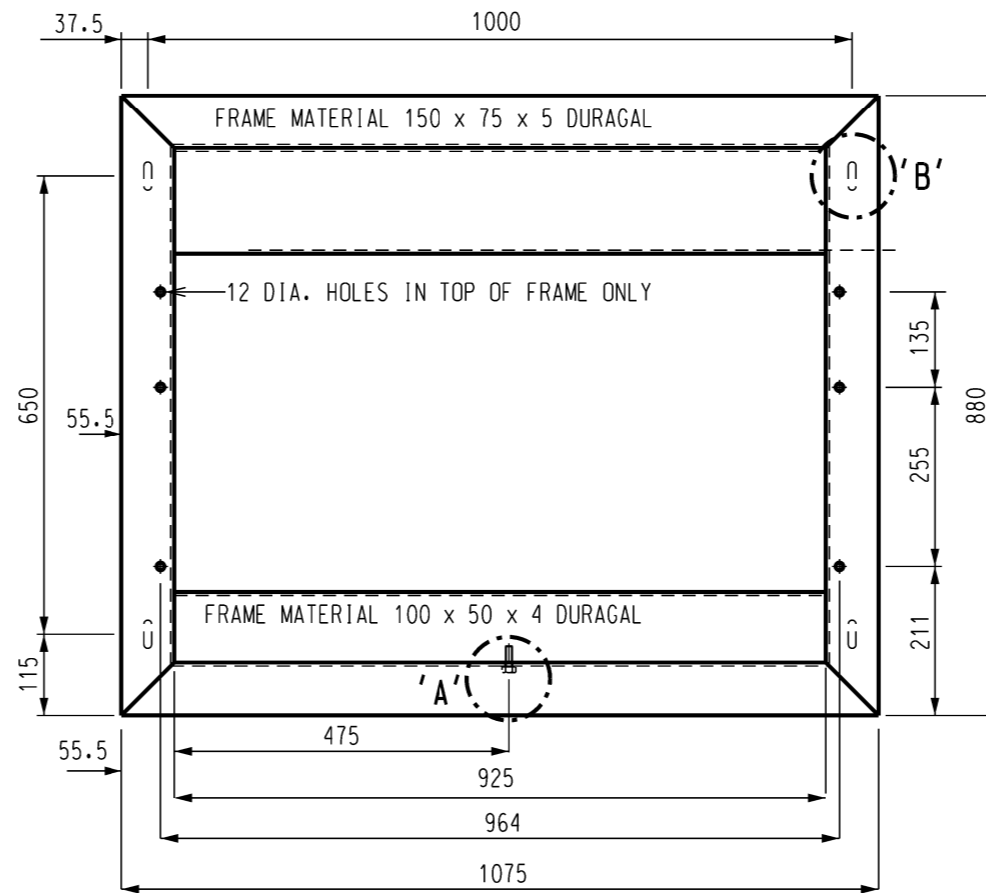


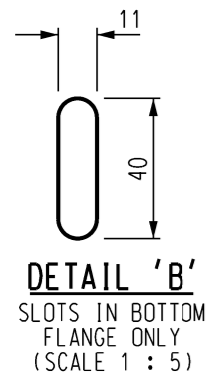
**DRIESCHER RMU 3 WAY (KKT)
MOUNTING FRAME**

STOCK CODE:502387

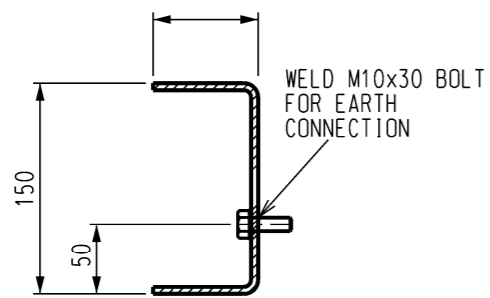


**DRIESCHER RMU 4 WAY (KKTK)
MOUNTING FRAME**

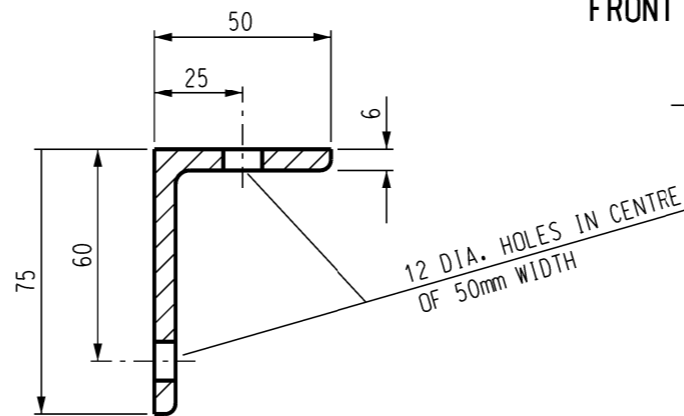
STOCK CODE:502388



DETAIL 'B'
SLOTS IN BOTTOM
FLANGE ONLY
(SCALE 1 : 5)

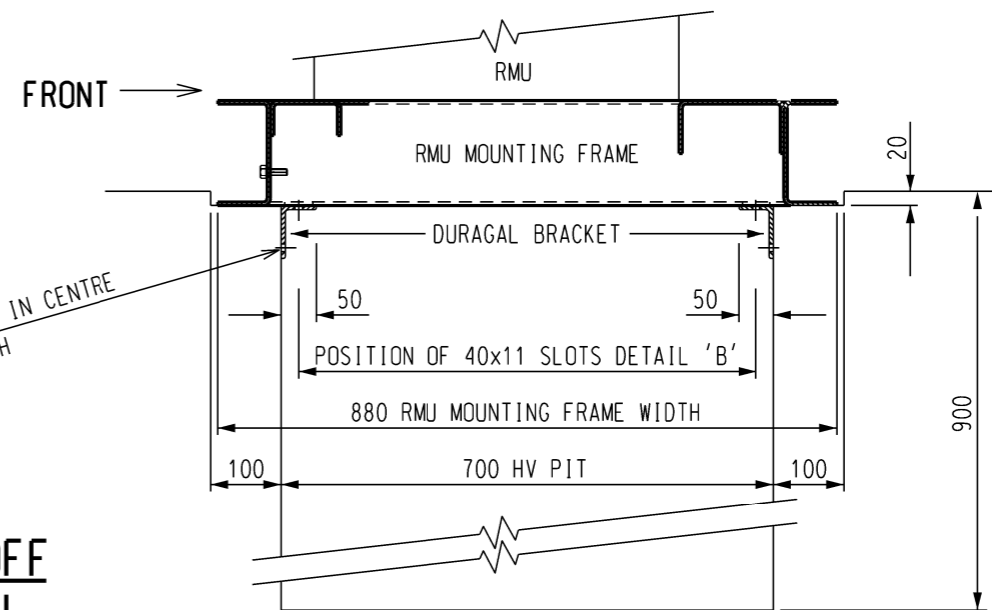


DETAIL 'A'
EARTH STUD
LOCATION
(SCALE 1 : 5)



**DURAGAL BRACKET (50mm WIDE) 4 OFF
FOR FIXING FRAME TO HV PIT WALL**

SCALE 1 : 2



SECTION THROUGH HV PIT

NO	DESCRIPTION	DRN	DATE	CKD	APPD
0	ISSUED FOR CONSTRUCTION	A.T.	JUN'14	B.C.	B.C.
AMENDMENTS					



DES	R. THORNE	POWER STANDARD DRAWING		
DRN	A. TAYLOR	DRIESCHER RING MAIN UNIT 3 AND 4 FUNCTION MOUNTING FRAME		
CKD	B. CHEUNG			
APPD	B. CHEUNG	A3	DRAWING NUMBER	S02-1-4-25
SCALE	1:10			
ISSUED	DEC'13	AMDT		
ALL DIM.	IN mm			
DRAFTING STANDARD TO A.S.1100		CAD PRODUCT - DO NOT AMEND MANUALLY		