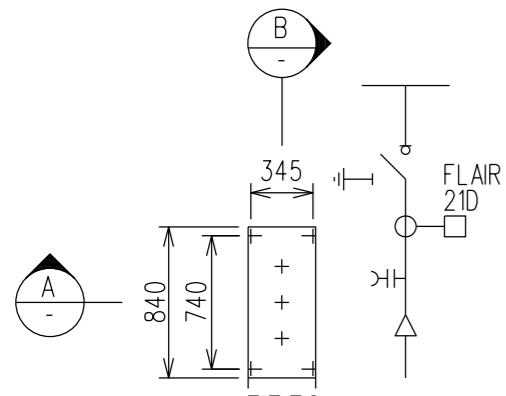
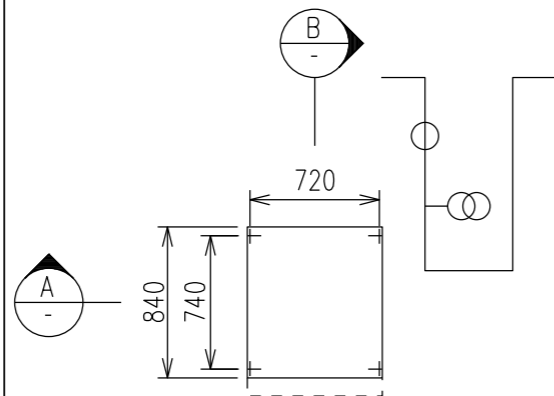


SM6 TYPE =IM (630A, 120/130KG)	
STOCK CODE	DESCRIPTION
413628	SWITCH, MOTORISED

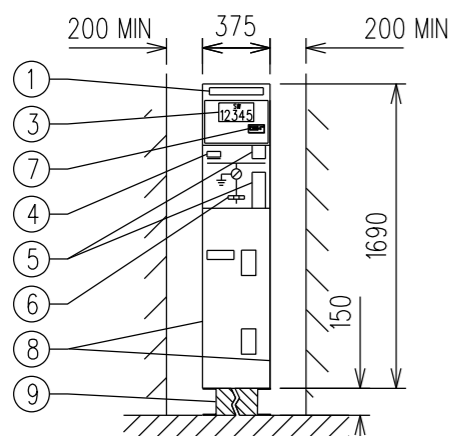
SM6 TYPE =GBC-B (200A, 290KG)	
STOCK CODE	DESCRIPTION
415456	11KV METERING UNIT
415455	22KV METERING UNIT



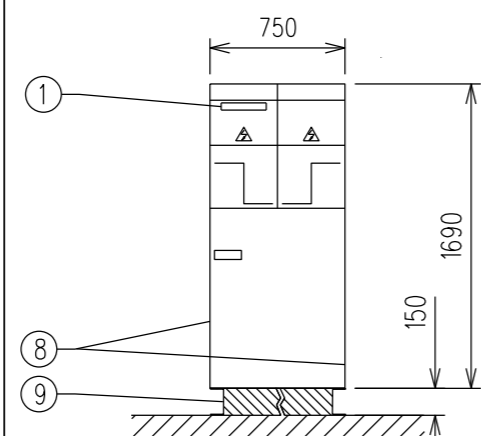
PLAN VIEW



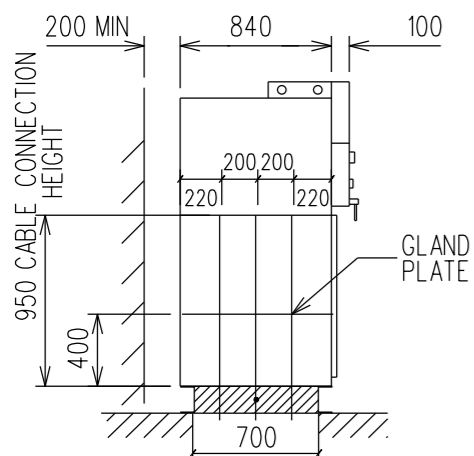
PLAN VIEW



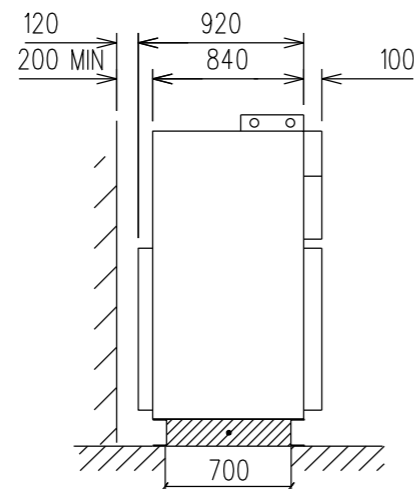
SECTION A - FRONT VIEW



SECTION A - FRONT VIEW



SECTION B - SIDE VIEW



SECTION B - SIDE VIEW

NOTES

1. ALL RING MAIN UNITS SHALL BE RATED AT 24KV. REFER TO STANDARDS BULLETIN S01-061 FOR DETAILS.
2. REFER TO S02-2-6-32 FOR SCHNEIDER SM6 SWITCHGEAR FOUNDATION DRAWING.
3. REFER TO S02-2-5-09 FOR SWITCHING STATION AND INTAKE STATION EARTHING DRAWINGS.
5. REFER TO S02-1-4-20 FOR SM6 SWITCHGEAR MOUNTING FRAME. SM6 TYPE DM1-S AND GBC-B TAKES TWO (2) SPACE OF CUBICLES.
6. ALL CABLES CONNECTED TO THE RING MAIN UNIT SHALL HAVE CABLE DESTINATION LABELS ATTACHED TO THE RING MAIN UNIT AND CABLE DESTINATION TAGS. ATTACHED TO THE CABLE. REFER TO S02-1-8-25 FOR CABLE DESTINATION TAGS.
7. ALL CABLE TERMINATIONS SHALL BE VIA INDOOR HEATSHRINK TERMINATIONS. REFER TO DRAWING S02-1-2-21 FOR STOCK CODES.
8. FLAIR 21D FAULT CURRENT INDICATORS SHALL BE FITTED TO ALL SWITCH ISOLATORS.
9. REFER TO S02-2-7-11 FOR HV METERING SINGLE LINE DIAGRAM.
10. REFER TO STANDARD TECHNICAL SPECIFICATION STS-24 FOR FURTHER SCHNEIDER SM6 SPECIFICATIONS.
11. EXCEPT WHEREE OTHERWISE SPECIFIED ALL SM6 IM MODULE INSTALLATIONS SHALL BE MOTORISED.

TABLE B - SM6 MOUNTING FRAME

NUMBER OF CUBICLES	STOCK CODE
2	414663
3	414664
4	414665
5	414666
6	414667
7	414668
CONNECTION PLATES	414888

TABLE C

ITEM	DESCRIPTION
1	CIRCUIT BREAKER LABEL
2	PROTECTION RELAY VIP35
3	SWITCH NUMBER PLATE
4	OPERATION COUNTER
5	OPERATING MECHANISM
6	VOLTAGE PRESENCE INDICATOR
7	FAULT INDICATOR 21D
8	SM6 LEFT AND RIGHT END PLATE (STOCK CODE=415561)
9	SM6 MOUNTING FRAME



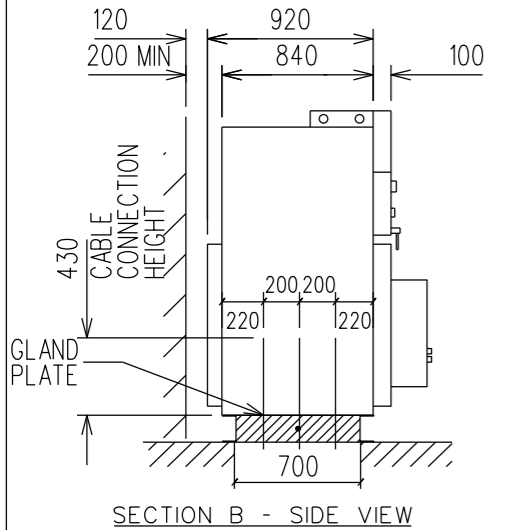
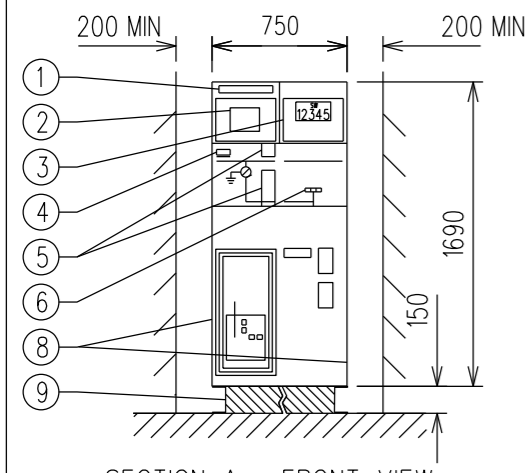
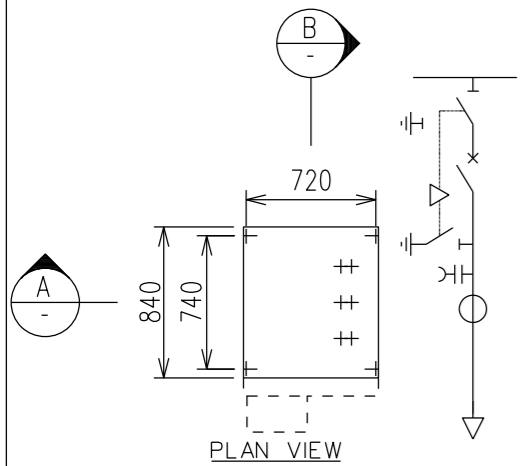
DES	V. TANG
DRN	V. TANG
CKD	A. TAYLOR
APPD	B. CHEUNG
SCALE	N.T.S

**SCHNEIDER ELECTRIC SM6 SWITCHGEAR
11KV AND 22KV SWITCH AND METERING UNIT
TYPE IM AND GBC-B
SHEET 1 OF 3**

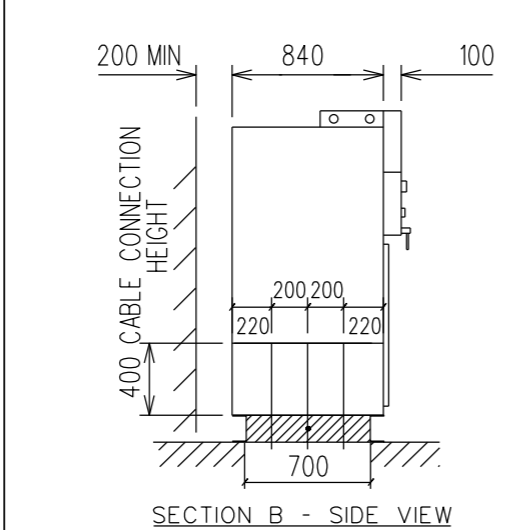
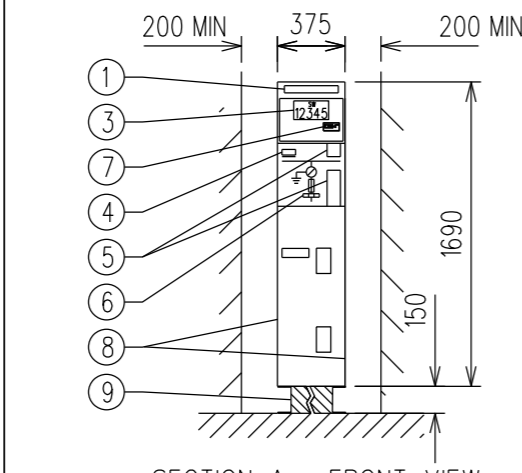
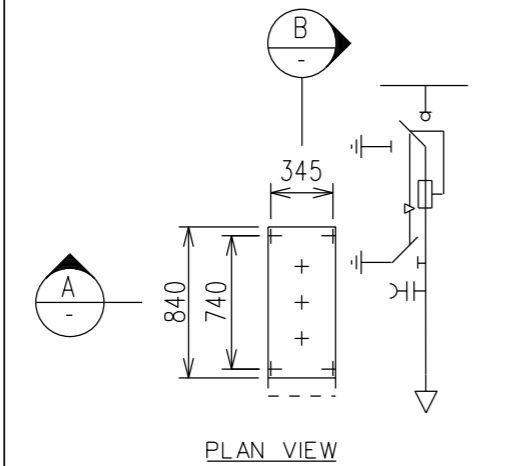
0	ISSUED FOR CONSTRUCTION	V. T	JAN'13	A. T	B. C.
NO	DESCRIPTION	DRN	DATE	CKD	APPD
AMENDMENTS					

ISSUED	DEC'12	A3	DRAWING NUMBER	S02-1-4-23_1	
ALL DIM. IN mm					
DRAFTING STANDARD TO A.S.1100			CAD PRODUCT - DO NOT AMEND MANUALLY		AMDT

SM6 TYPE =DM1-S (200A, 400KG)	
STOCK CODE	DESCRIPTION
407190	SWITCH,CIRCUIT BREAKER WITH VIP35 RELAY



SM6 TYPE =QM (200A, 130/150KG)	
STOCK CODE	DESCRIPTION
500503	SWITCH,FUSE COMBINATION,



NOTES

- ALL RING MAIN UNITS SHALL BE RATED AT 24KV. REFER TO STANDARDS BULLETIN S01-061 FOR DETAILS.
- REFER TO S02-2-6-32 FOR SCHNEIDER SM6 SWITCHGEAR FOUNDATION DRAWING.
- REFER TO S02-2-5-09 FOR SWITCHING STATION AND INTAKE STATION EARTHING DRAWINGS .
- TRANSFORMER TEE-OFFS RATED 750kVA OR ABOVE SHALL BE PROTECTED BY A CIRCUIT BREAKER. REFER TO S02-4-2-14 AND S02-4-2-15 FOR 11kV AND 22kV VIP35 RELAY PROTECTION SETTINGS.
- TRANSFORMER TEE-OFFS RATED 500kVA OR BELOW SHALL BE PROTECTED BY FUSES. REFER TO S02-1-4-03 FOR HV FUSE LINK STANDARD.

RATING	11kV FUSE	22kV FUSE
300kVA	40A (S/C-500860)	20A (S/C-500858)
500kVA	63A	31.5A (S/C-500859)

- REFER TO S02-1-4-20 FOR SM6 SWITCHGEAR MOUNTING FRAME. SM6 TYPE DM1 AND GBC-B TAKES TWO (2) SPACES OF CUBICALS.
- ALL CABLES CONNECTED TO THE RING MAIN UNIT SHALL HAVE CABLE DESTINATION LABELS ATTACHED TO THE RING MAIN UNIT AND CABLE DESTINATION TAGS. ATTACHED TO THE CABLE. REFER TO S02-1-8-25 FOR CABLE DESTINATION TAGS.
- FLAIR 21D FAULT CURRENT INDICATORS SHALL BE FITTED ON SM6 TYPE IM SWITCH ISOLATORS.
- REFER TO STANDARD TECHNICAL SPECIFICATION STS-24 FOR FURTHER SM6 SPECIFICATIONS.
- DM1-S UNITS SHALL HAVE THE CT'S WIRED IN S1-S2 FOR PROTECTION OF LOADS UP TO AND INCLUDING 1MVA.

TABLE B - SM6 MOUNTING FRAME

NUMBER OF CUBICLES	STOCK CODE
2	414663
3	414664
4	414665
5	414666
6	414667
7	414668
CONNECTION PLATES	414888

TABLE C

ITEM	DESCRIPTION
1	CIRCUIT BREAKER LABEL
2	PROTECTION RELAY VIP35
3	SWITCH NUMBER PLATE
4	OPERATION COUNTER
5	OPERATING MECHANISM
6	VOLTAGE PRESENCE INDICATOR
7	FAULT INDICATOR 21D
8	SM6 LEFT AND RIGHT END PLATE (STOCK CODE=415561)
9	SM6 MOUNTING FRAME



DES	V. TANG
DRN	V. TANG
CKD	A. TAYLOR
APPD	B. CHEUNG
SCALE	N.T.S
ISSUED	DEC '12
ALL DIM.	IN mm
DRAFTING STANDARD TO A.S.1100	

**SCHNEIDER ELECTRIC SM6 SWITCHGEAR
11kV AND 22kV PROTECTION
TYPE DM1-S AND QM
SHEET 2 OF 3**

A3 DRAWING NUMBER S02-1-4-23_2



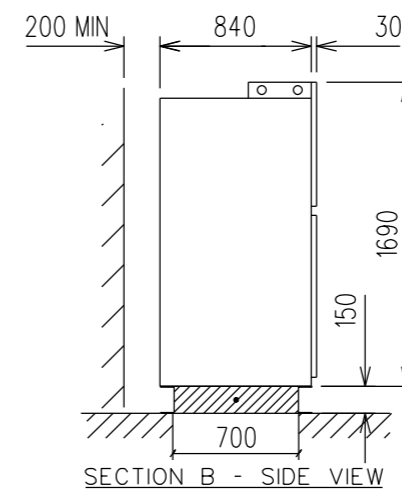
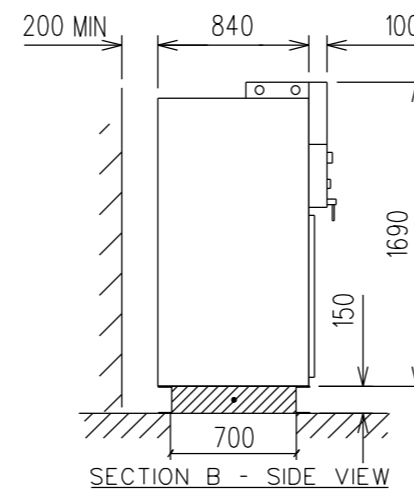
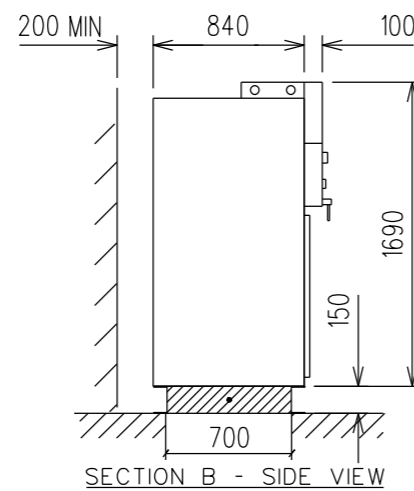
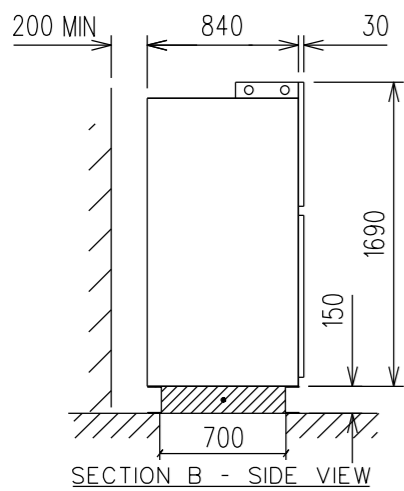
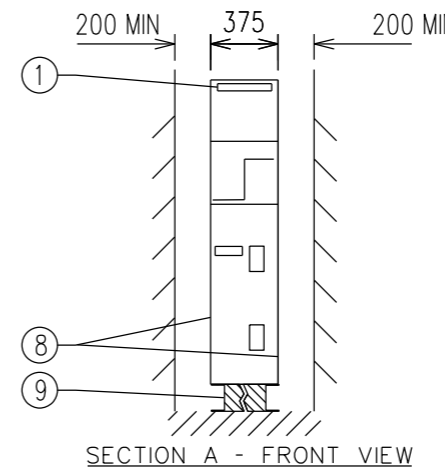
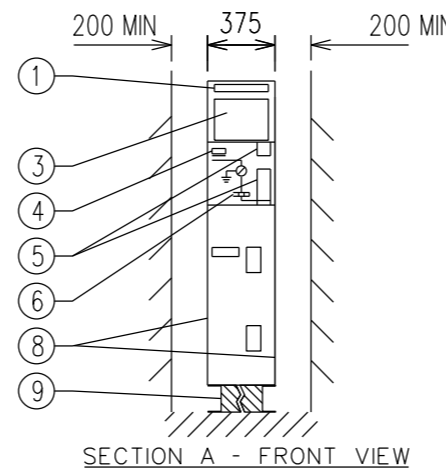
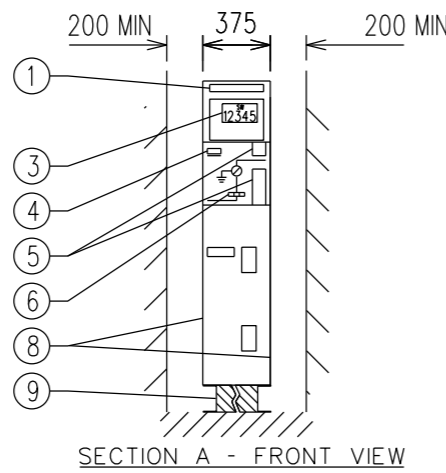
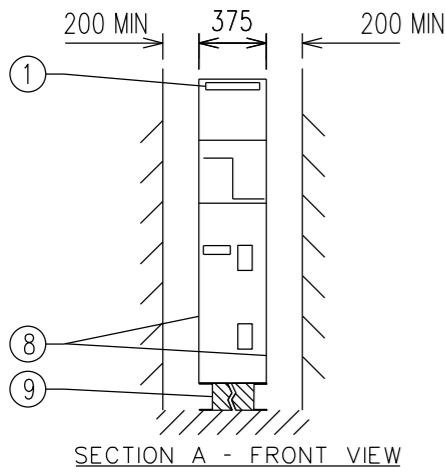
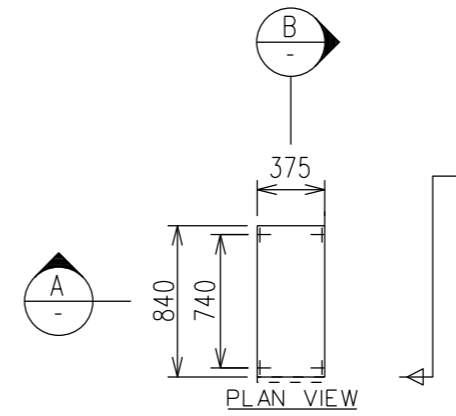
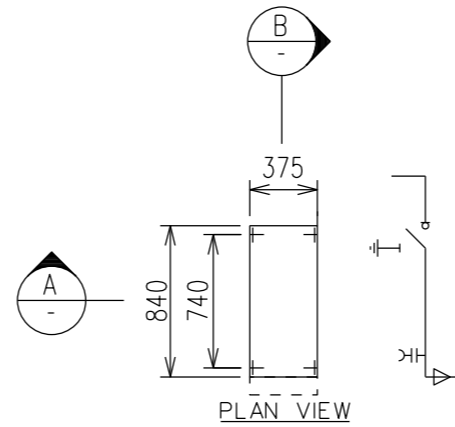
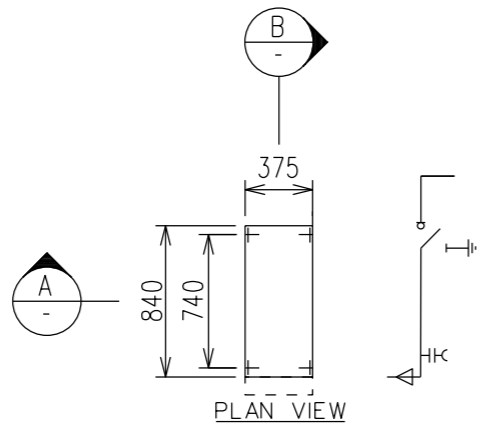
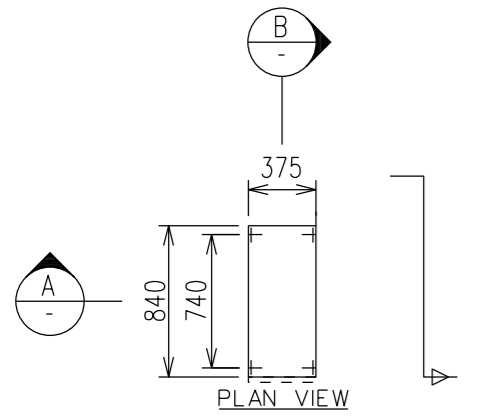
0	ISSUED FOR CONSTRUCTION	V. T	JAN'13	A. T	B. C.
NO	DESCRIPTION	DRN	DATE	CKD	APPD
AMENDMENTS					

SM6 TYPE =GBM (630A, 120KG)	
STOCK CODE	DESCRIPTION
412668	BUS RISER CONNECTION, LEFT OUTGOING

SM6 TYPE =IMB (630A, 120KG)	
STOCK CODE	DESCRIPTION
412667	SWITCH,BUS TIE, MOTORIZED, PROTECTION, RIGHT OUTGOING

SM6 TYPE =IMB (630A, 120KG)	
STOCK CODE	DESCRIPTION
413629	SWITCH,BUS TIE, MOTORIZED, PROTECTION, LEFT OUTGOING

SM6 TYPE =GBM (630A, 120KG)	
STOCK CODE	DESCRIPTION
413634	BUS RISER CONNECTION, RIGHT OUTGOING



NOTES

- ALL RING MAIN UNITS SHALL BE RATED AT 24KV. REFER TO STANDARDS BULLETIN S01-061 FOR DETAILS.
- REFER TO S02-2-6-32 FOR SCHNEIDER SM6 SWITCHGEAR FOUNDATION DRAWING.
- REFER TO S02-2-5-09 FOR SWITCHING STATION AND INTAKE STATION EARTHING DRAWINGS.
- REFER TO S02-1-4-20 FOR SM6 SWITCHGEAR MOUNTING PLINTH.
- REFER TO STANDARD TECHNICAL SPECIFICATION STS-24 FOR FURTHER SCHNEIDER SM6 SPECIFICATIONS.

TABLE A

ITEM	DESCRIPTION
1	CIRCUIT BREAKER LABEL
3	SWITCH NUMBER PLATE
4	OPERATION COUNTER
5	OPERATING MECHANISM
6	VOLTAGE PRESENCE INDICATOR
8	SM6 LEFT & RIGHT HAND END PLATE (STOCK CODE=415561)
9	SM6 MOUNTING FRAME

TABLE B - SM6 MOUNTING FRAME REFER TO S02-1-4-20

NUMBER OF CUBICLES	STOCK CODE
2	414663
3	414664
4	414665
5	414666
6	414667
7	414668
CONNECTION PLATES	414888

NO	DESCRIPTION	DRN	DATE	CKD	APPD
0	ISSUED FOR CONSTRUCTION	V.T	JAN'13	A.T	B.C.
AMENDMENTS					



DES	V.TANG
DRN	V.TANG
CKD	A.TAYLOR
APPD	B.CHEUNG
SCALE	N.T.S
ISSUED	DEC'12
ALL DIM.	IN mm
DRAFTING STANDARD TO A.S.1100	

SCHNEIDER ELECTRIC SM6 SWITCHGEAR
11KV AND 22KV BUS-TIE
TYPE GBM AND IMB
SHEET 3 OF 3

A3 DRAWING NUMBER **S02-1-4-23_3**

CAD PRODUCT - DO NOT AMEND MANUALLY



AMDT