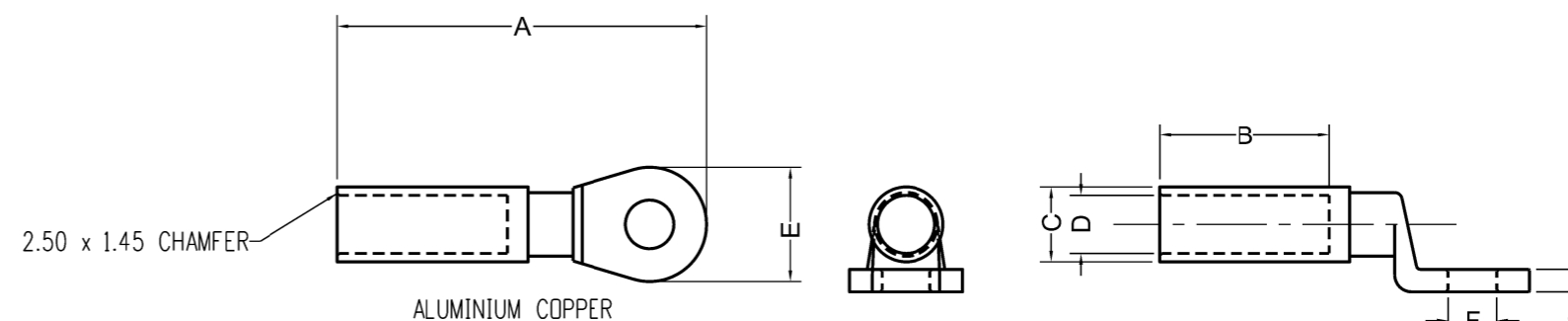


| Nom. Conductor CSA mm ² | A ±1 | B ±1 | C ±0.1 | D ±0.1 | F ±0.5 | E ±0.5 | H ±0.25 | A/F Hex | No. of Crimps |
|------------------------------------|-------|-------|--------|--------|--------|--------|---------|---------|---------------|
| 95 | 99.00 | 45.50 | 20.00 | 12.50 | 13.00 | 30.50 | 6.00 | 21.50 | 5 |
| 150 | 99.00 | 45.50 | 20.00 | 15.50 | 13.00 | 30.50 | 6.00 | 21.50 | 5 |



NOTES

1. CABLE INSULATION TO BE REMOVED TO DIMENSION SHOWN ON LUG AND FULLY INSERTED INTO LUG BEFORE CRIMPING
2. LUG TO HAVE STRIPPING LENGTH, DIE SIZE, CRIMP NUMBER AND CRIMP SEQUENCE MOLDED ONTO LUG INSULATION
3. ALL LUGS TO COMPLY WITH AS/NZS4325.1
4. 95SQMM LUG IS A GREY COLOR
150SQMM LUG IS A VIOLET COLOR

STOCK CODE 95SQMM: 407378
150SQMM: 415589

| | | | | | | | | | | |
|------------|--|--|--|--|--|-------------------------------|--|-------------------------------------|---------------------------|------|
| | | | | | | DES A. TAYLOR | | WATER STANDARD DRAWING | | |
| | | | | | | DRN J. COPPINS | | LV ABC INSULATED CRIMP LUG | | |
| | | | | | | CKD A. TAYLOR | | | | |
| | | | | | | APPD S.C. | | | | |
| | | | | | | SCALE N.T.S. | | | | |
| | | | | | | ISSUED JULY'08 | | A3 | DRAWING NUMBER S04-1-2-18 | |
| | | | | | | ALL DIM. IN mm | | | | |
| | | | | | | DRAFTING STANDARD TO A.S.1100 | | CAD PRODUCT - DO NOT AMEND MANUALLY | | AMDT |
| AMENDMENTS | | | | | | | | | | |



| NO | DESCRIPTION | DRN | DATE | CKD | APPD |
|----|-------------------------|------|--------|------|------|
| 1 | 150SQMM VERSION ADDED | A.T. | MAR'12 | B.C. | S.C. |
| 0 | ISSUED FOR CONSTRUCTION | J.C. | JUL'08 | A.T. | S.C. |