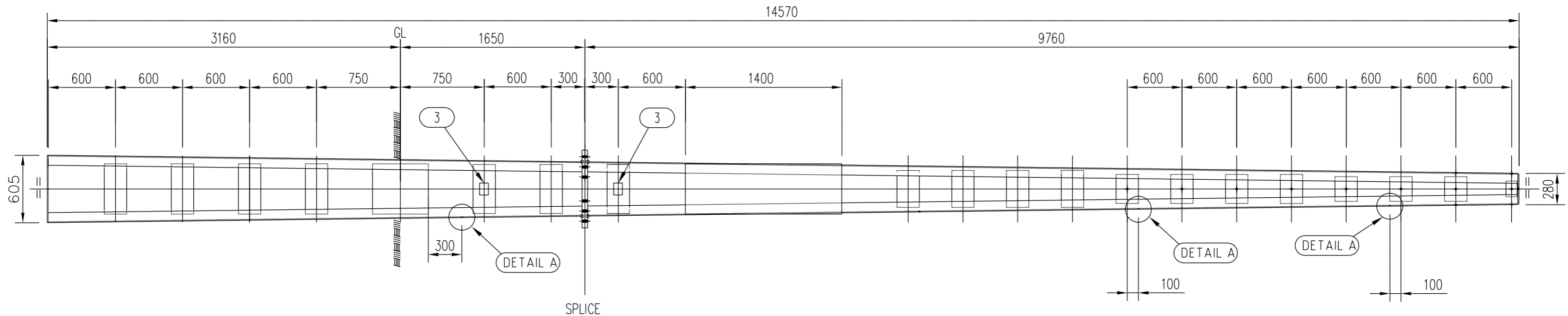


TWO PIECE SPLICED POLE 13.5D - STOCK CODE: 503629

TOTAL MASS 13.5D - TOP - 881Kg

TOTAL MASS 13.5D - BOTTOM - 453Kg

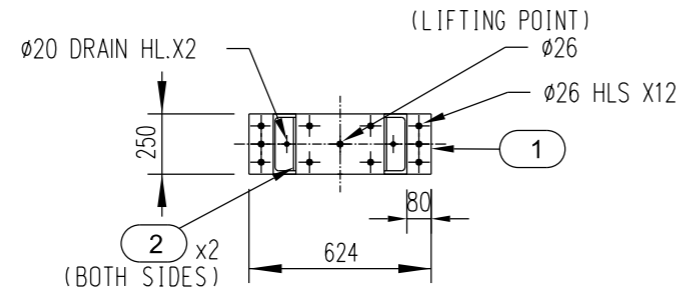


ELEVATION VIEW

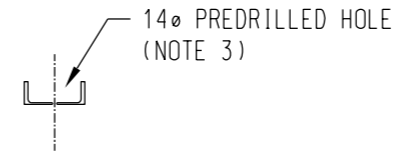
NOT TO SCALE

- XXX ← FABRICATOR'S NAME
- 01 - 15 ← MONTH AND YEAR OF FABRICATION
- 12B ← POLE SIZE
- 1001B ← UNIQUE SECTION IDENTIFIER SEQUENCE (#####T OR #####B)
- 202 KG ← SECTION'S TIER WEIGHT

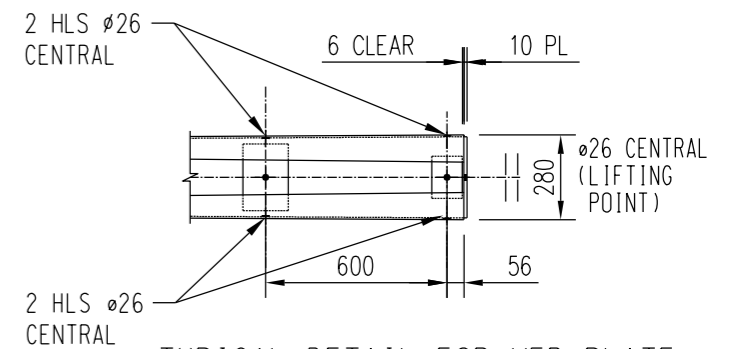
ITEM 3 POLE DATA PLATE DETAILS



ITEM 1 SPLICED DETAIL FOR 13.5D



DETAIL A



TYPICAL DETAIL FOR WEB PLATE WITH PREDRILLED HOLES

NOTES:

1. CENTRE OF GRAVITY / LIFTING POINT SHALL BE MARKED ON EACH SECTION.
2. TWO PIECE SPLICED POLE IS NOT THE PREFERRED OPTION FOR GREENFIELD SITES.
3. 14Ø PREDRILLED HOLE FOR EARTH BOND AND NEUTRAL BOND TERMINATION.
4. REFER TO S01-2-1-69 FOR INSTALLATION DETAILS.
5. APPLICATION OF THIS POLE IS RESTRICTED FOR INTERNAL POWER NETWORKS USE ONLY. FOR OTHER APPLICATIONS AND APPROVALS, CONTACT POWER NETWORKS STANDARDS.

ITEM	QTY. 13.5D	MATERIAL DESCRIPTION
1	2	648 x 250 x 25 FMS. FLANGE PLT. 26 DIA HOLES
2	4	218 x 200 x 8 FMS. STIFFENER PLT.
3	2	POLE DATA NAME PLATE

0	ISSUED FOR INFORMATION	J. NOY	MAR '16	A. TAY	I. BAS
NO	DESCRIPTION	DRN	DATE	CKD	APPD
AMENDMENTS					



DES -	POWER STANDARD DRAWING		
DRN J. NOYNAY	TWO PIECE SPLICED POLE LINE 13.5D BOLTED CONNECTIONS TYPE		
CKD A. TAYLOR			
APPD I. BASHIR			
SCALE AS SHOWN			
ISSUED MAR '16			
ALL DIM. IN MM	A3	DRAWING NUMBER	S01-1-1-36
DRAFTING STANDARD TO A.S.1100		CAD PRODUCT - DO NOT AMEND MANUALLY	

