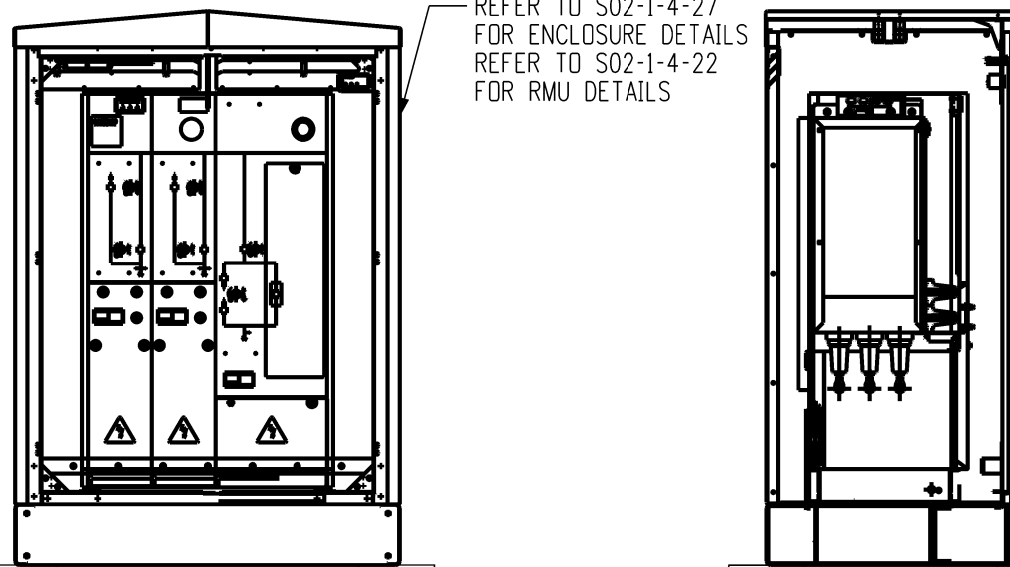


REFER TO S02-1-4-27 FOR ENCLOSURE DETAILS
REFER TO S02-1-4-22 FOR RMU DETAILS

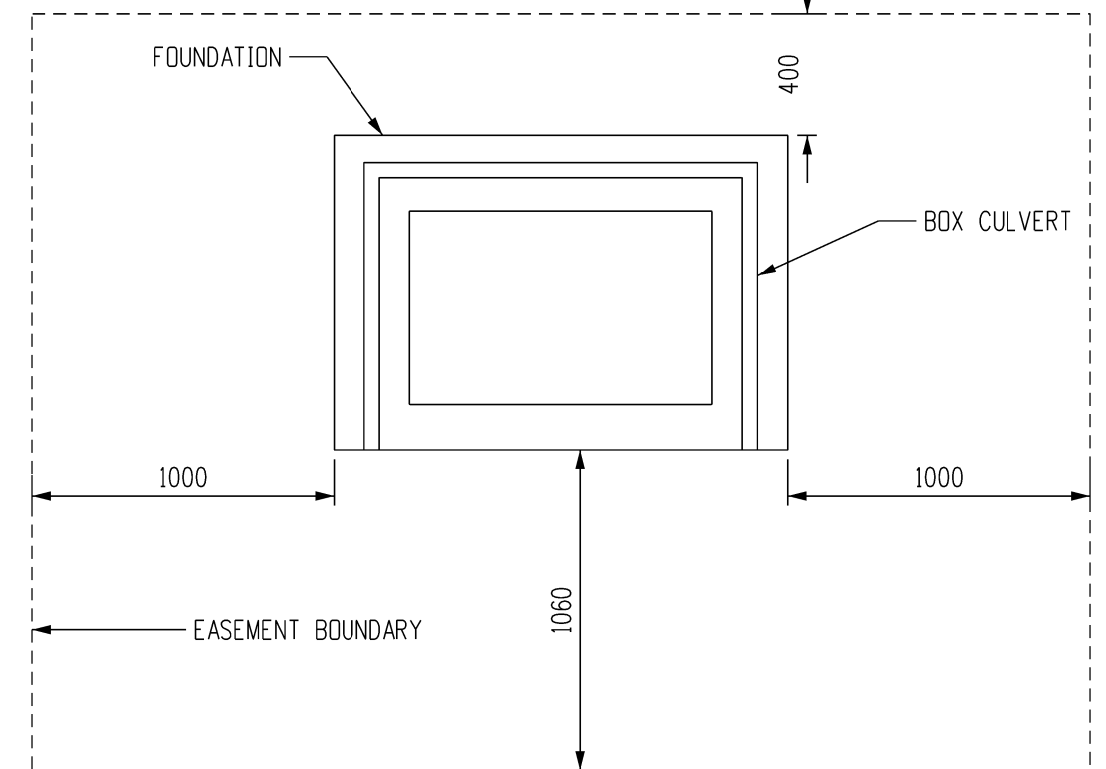


REFER TO S02-2-6-33 FOR APRON AND GROUND LEVEL DETAILS

HUMES BOX CULVERT,
1200 x 900 x 1220
EXTERNAL DIMINTIONS
STOCK CODE 502446

STABILIZED SAND FILL UP TO
SLAB LEVEL OUTSIDE OF CULVERT

SET 100MM
AROUND BOTTOM 100MM
OF CULVERT IN
CONCRETE



NO	DESCRIPTION	DRN	DATE	CKD	APPD
0	ISSUED FOR CONSTRUCTION	A. T.	MAR'14	B. C.	B. C.
AMENDMENTS					

PowerWater
NORTHERN TERRITORY

DES	B. CHEUNG	POWER STANDARD DRAWING		
DRN	A. TAYLOR	CIVIL. DRIESCHER RMU. CABLE ENTRY AND FOUNDATION DETAILS		
CKD	A. TAYLOR			
APPD	B. CHEUNG			
SCALE	1:25			
ISSUED	MAR'14	A3	DRAWING NUMBER	S02-2-6-34
ALL DIM. IN mm				
DRAFTING STANDARD TO A.S.1100		CAD PRODUCT - DO NOT AMEND MANUALLY		AMDT