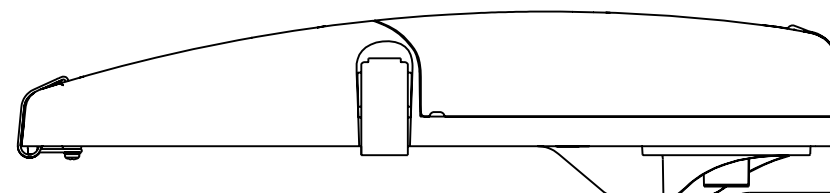
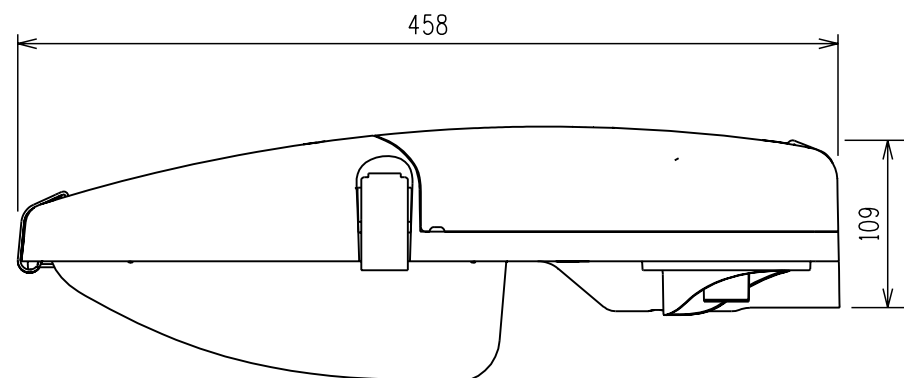
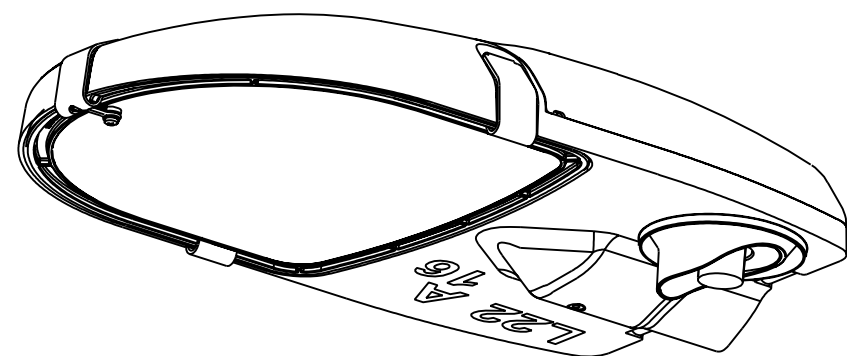
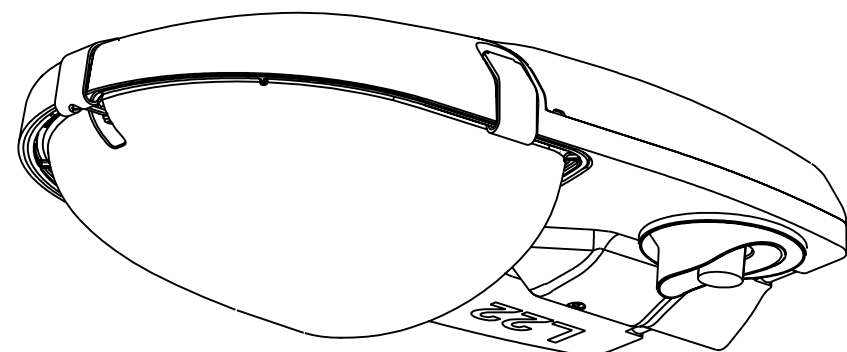


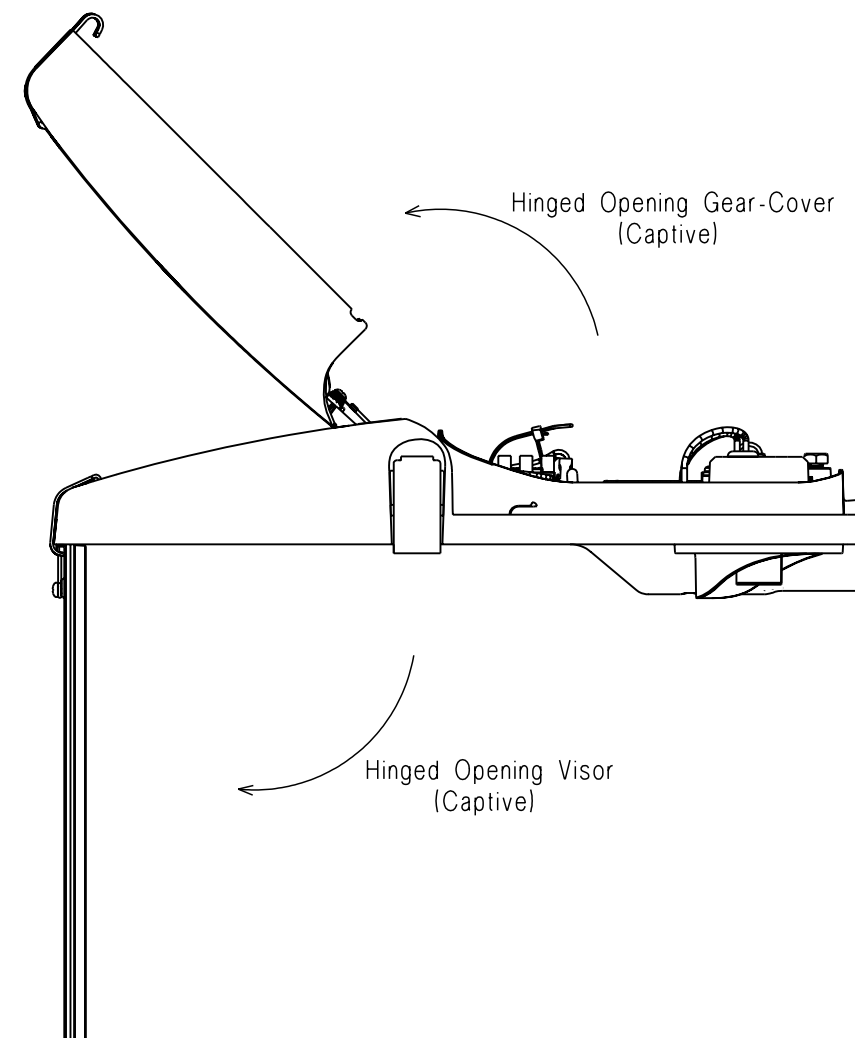
PLAN VIEW



SIDE VIEW



STOCK CODE	DESCRIPTION
503744	STREET LED 2 18W LUMINAIRE C/W AEROSCREEN VISOR WITH PE CELL
503745	STREET LED 2 18W LUMINAIRE C/W AEROSCREEN VISOR WITHOUT PE CELL
501814	STREET LED 2 18W LUMINAIRE STANDARD VISOR WITH PE CELL
501815	STREET LED 2 18W LUMINAIRE STANDARD VISOR WITHOUT PE CELL
—	STREET LED SAMSUNG DRIVER
503746	STREET LED 2 STANDARD VISOR REPLACEMENT
503747	STREET LED 2 AREOSCREEN VISOR REPLACEMENT



Hinged Opening Gear-Cover (Captive)

Hinged Opening Visor (Captive)

NO	DESCRIPTION	DRN	DATE	CKD	APPD
2	LED SPEC UPDATED	K.T.	JUN'16	I.B.	B.C.
1	STOCK CODES UPDATE	C.C.	FEB'14	A.T.	B.C.
0	ISSUED FOR CONSTRUCTION	A.T.	SEP'13	B.C.	B.C.
AMENDMENTS					

PowerWater
NORTHERN TERRITORY

DES	B.CHEUNG	POWER STANDARD DRAWING	
DRN	A.TAYLOR	MINOR ROADS SYLVANIA LED REPLACEMENT FOR 80W MERCURY VAPOUR	
CKD	B.CHEUNG		
APPD	B.CHEUNG		
SCALE	NTS		
ISSUED	SEP'13		
ALL DIM. IN mm	A3	DRAWING NUMBER	S03-1-4-13
DRAFTING STANDARD TO A.S.1100		CAD PRODUCT - DO NOT AMEND MANUALLY	

