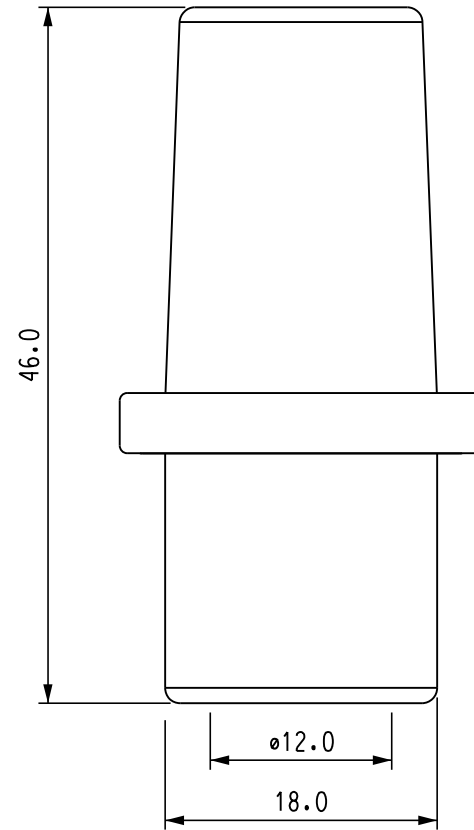


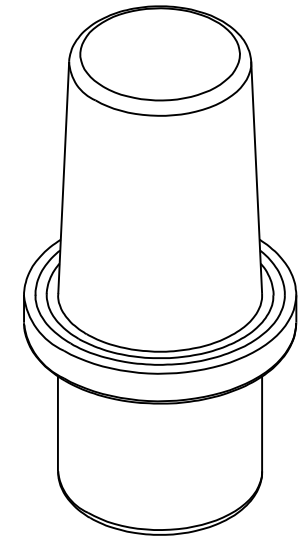
ITEM 1 - CONDUCTOR END CAP 16mm - 70mm



ITEM NUMBER : 504106



ITEM 2 - CONDUCTOR END CAP 95mm - 150mm

ITEM NUMBER : 504107



								DES P. HINDE DRN P. HINDE CKD B. CHEUNG APPD B. CHEUNG SCALE N.T.S. ISSUED DEC'17 ALL DIM. IN mm		POWER STANDARD DRAWING  CONDUCTOR CAP ARIAL BUNDLE CONDUCTOR END CAPS		
0	ISSUED FOR CONSTRUCTION	P.H.	DEC'17	B.C.	B.C.	A3	DRAWING NUMBER	S04-1-2-20	DRAFTING STANDARD TO A.S.1100 CAD PRODUCT - DO NOT AMEND MANUALLY			
NO	DESCRIPTION	DRN	DATE	CKD	APPD		AMENDMENTS					