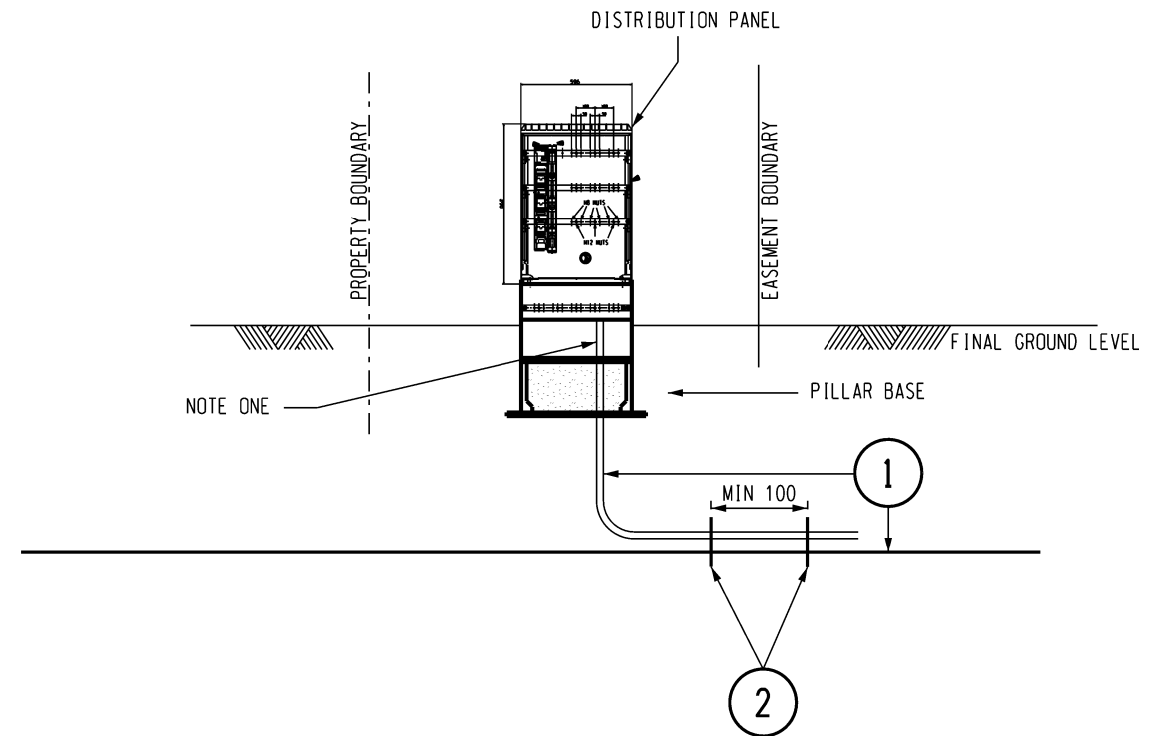


ROAD RESERVE PLAN



SECTION A-A

1. CONDUCTOR - COPPER 70sqmm (ITEM 1) SHALL BE CONNECTED TO PILLAR EARTH BAR.
2. A NEUTRAL AND EARTH LINK SHALL BE PROVIDED BY A SEPARATED 70sqmm COPPER CONDUCTOR Y/G INSULATED.

ITEM	QTY	DESCRIPTION	STOCK CODE	DRG REF
2	2	COMPRESSION CONNECTOR "C" PROFILE	255786	S01-1-5-08
1		CONDUCTOR - COPPER - 70sqmm	9803	S01-1-5-05

MATERIAL SCHEDULE

NO	DESCRIPTION	DRN	DATE	CKD	APPD
0	ISSUED	C.C.	18/9/14	B.C.	B.C.
AMENDMENTS					



DES	B.CHEUNG	POWER STANDARD DRAWING		
DRN	C.COPPINS	EATHING DISTRIBUTION PILLARS RESIDENTIAL - GENERAL		
CKD	B.CHEUNG			
APPD	B.CHEUNG			
SCALE	N.T.S.			
ISSUED	SEP 2014	A3	DRAWING NUMBER	S02-2-5-13
ALL DIM.	IN mm			
DRAFTING STANDARD TO A.S.1100		CAD PRODUCT - DO NOT AMEND MANUALLY		AMDT