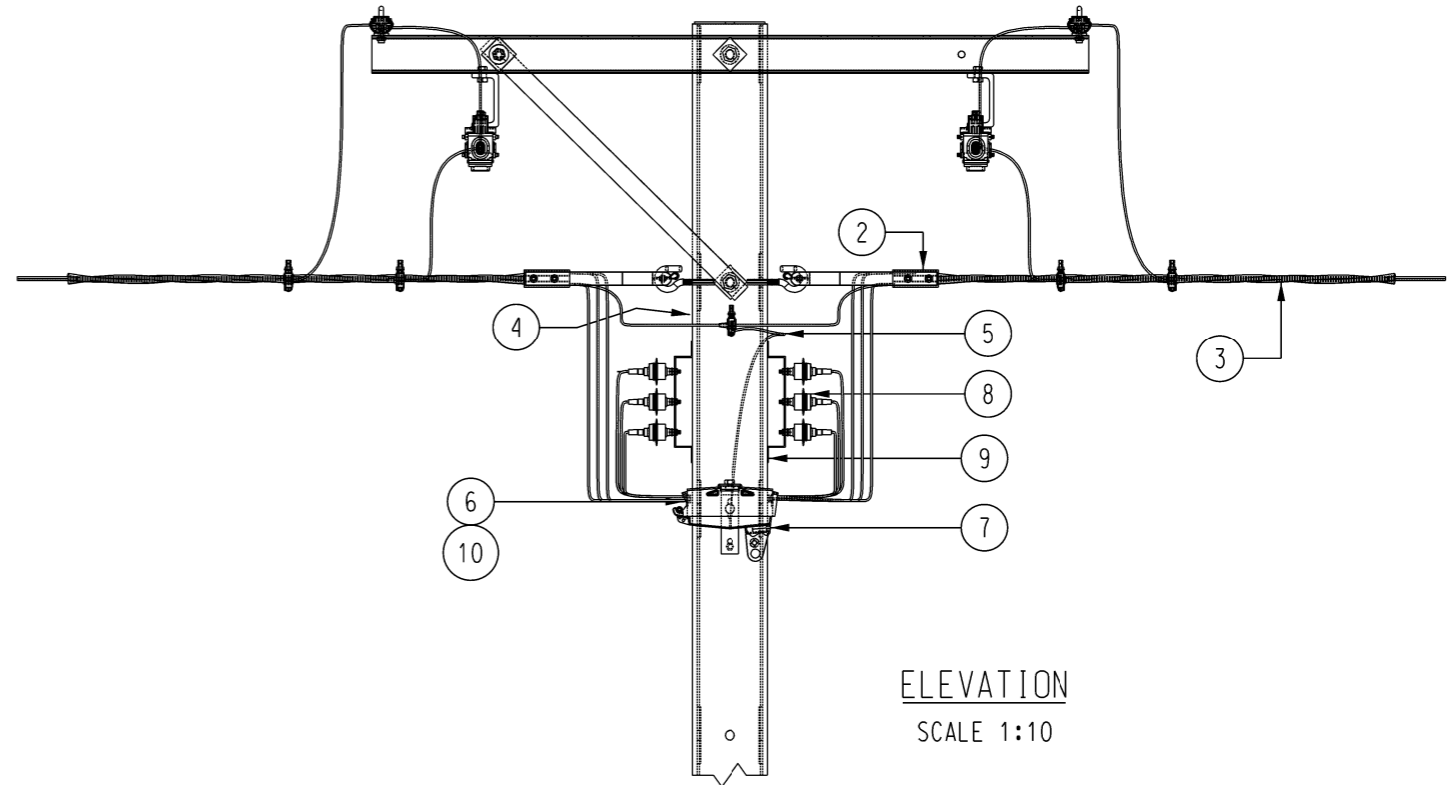


ISOMETRIC VIEW  
N.T.S.



ELEVATION  
SCALE 1:10

**NOTES**

1. LV-ABC SHALL BE TERMINATED DIRECTLY INTO FUSE SWITCH BOX USING INSULATED LV-ABC LUGS, REFER TO S04-1-2-17 FOR LUGS.
2. FUSE SWITCH MOUNTING BRACKET TO BE WELDED TO THE POLE.
3. FIT LV SURGE DIVERTERS AT EXPOSED OPEN POINTS.
4. SURGE DIVERTER TAILS SHALL BE KEPT AS SHORT AS POSSIBLE.
5. SURGE DIVERTER TAILS TO TERMINATE IN SWITCH UNIT.
6. FIX SURGE DIVERTER MOUNTING BRACKET TO THE POLE M10 BOLTS WELDED TO THE POLE.
7. SURGE DIVERTER EARTHING DETAIL IS SHOWN IN S04-2-3-03.
8. REFER TO S04-2-1-25 AND S04-2-1-26 FOR SERVICE ARRANGEMENTS.
9. FIT 250A LINK BLADE (STOCK CODE 258210) IN FUSE/SWITCH BOX.

10	6	LUG COMPRESSION	-	S04-1-2-17
9	2	BRACKET - SURGE DIVERTER	214932	S01-1-4-27
8	6	SURGE DIVERTER LV	10041	S01-1-4-20
7	1	COMBINATION SWITCH - ISOLATOR/FUSE	255934	S04-1-3-05
6	7	LUG COMPRESSION 35sq.mm	156240	
5	-	CABLE Cu PVC 35sq.mm BLACK	1586	-
4	1	CONNECTOR, PIERCING 150/35	415586	S04-1-2-15
3	AR	CABLE LV ABC	-	S04-1-1-01
2	2	CLAMP STRAIN	415585	S04-1-2-11
1	2	HOOK BOLT M16 NON-BREAKAWAY ASSEMBLY	197731	S04-1-2-07
TAG No	QTY	DESCRIPTION	STOCK CODE	DRG. REF.

0	RENUMBERED FROM S01-2-1-31, MATERIALS AND NOTES UPDATED	J.C.	AUG'12	A.T.	S.C.
NO	DESCRIPTION	DRN	DATE	CKD	APPD
AMENDMENTS					

**PowerWater**  
NORTHERN TERRITORY

DES	B.T.KENT	POWER STANDARD DRAWING		
DRN	J.COPPINS	<b>ASSEMBLIES</b> <b>LV - ABC BOLTED CONNECTIONS</b> <b>LINK POLE - OPEN POINT</b>		
CKD	R.INNES			
APPD	F.ROBSON			
SCALE	N.T.S.			
ISSUED	MAY'98	A3	DRAWING NUMBER	S04-2-1-29
ALL DIM. IN mm				
DRAFTING STANDARD TO A.S.1100			CAD PRODUCT - DO NOT AMEND MANUALLY	

