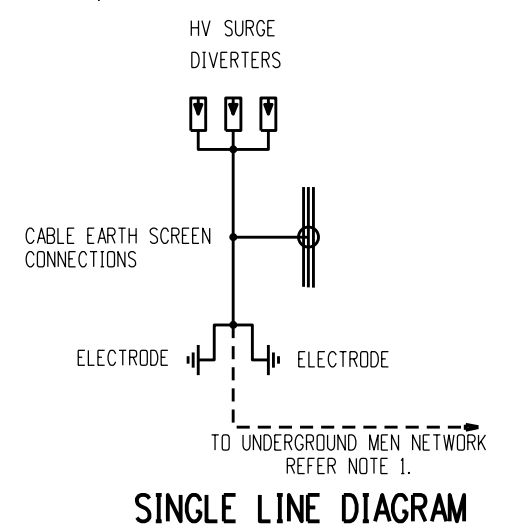
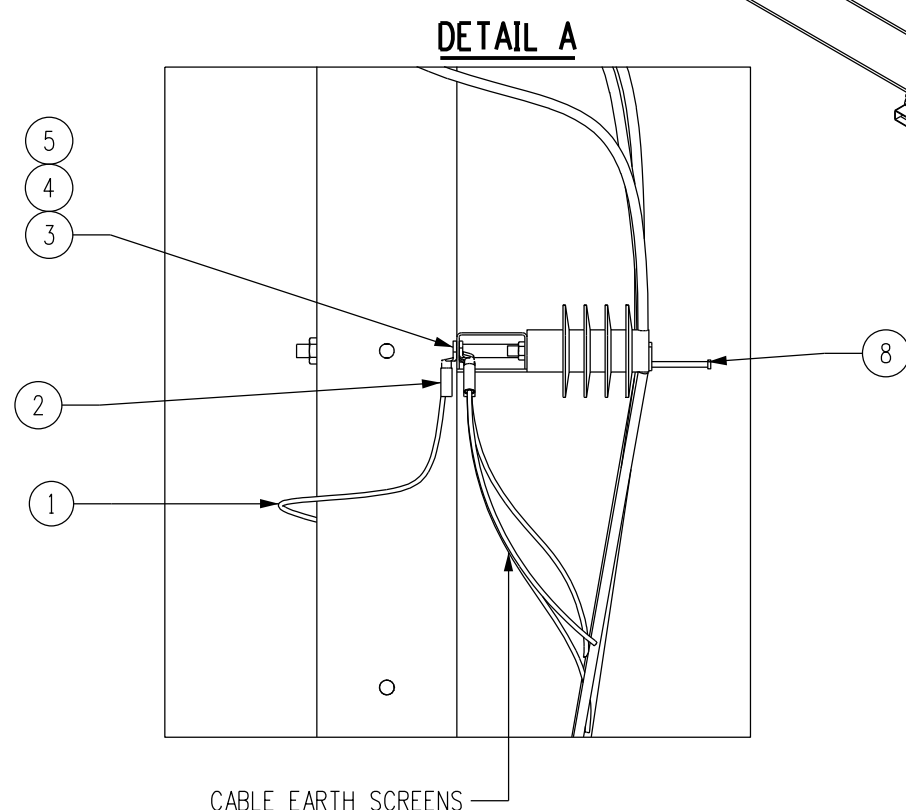
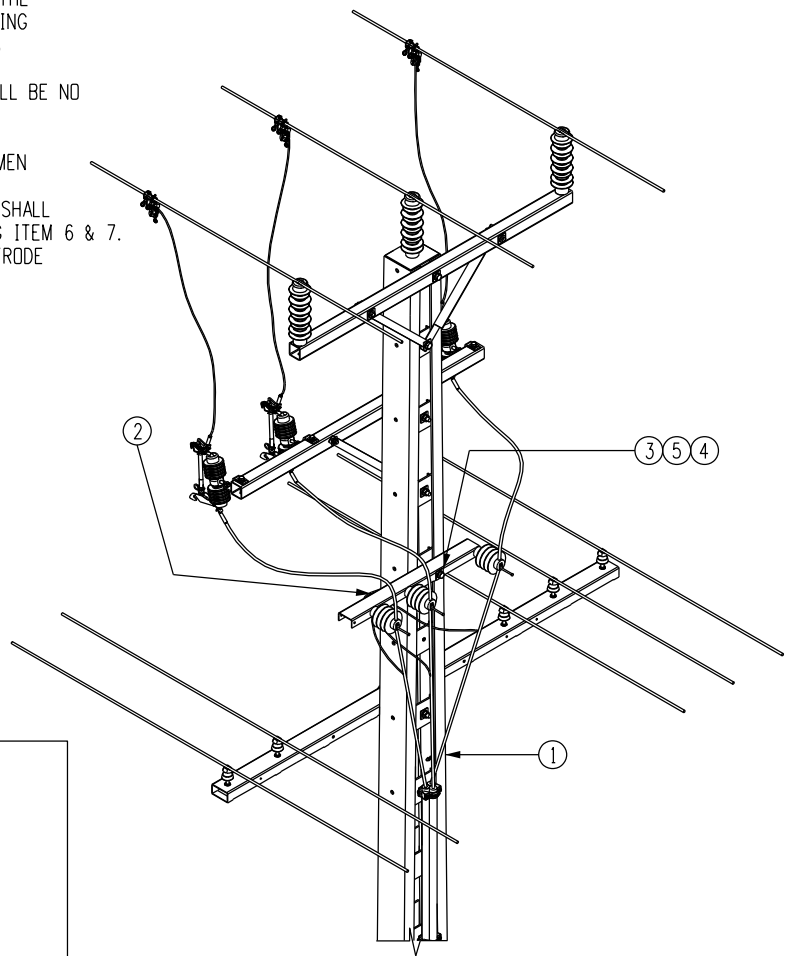
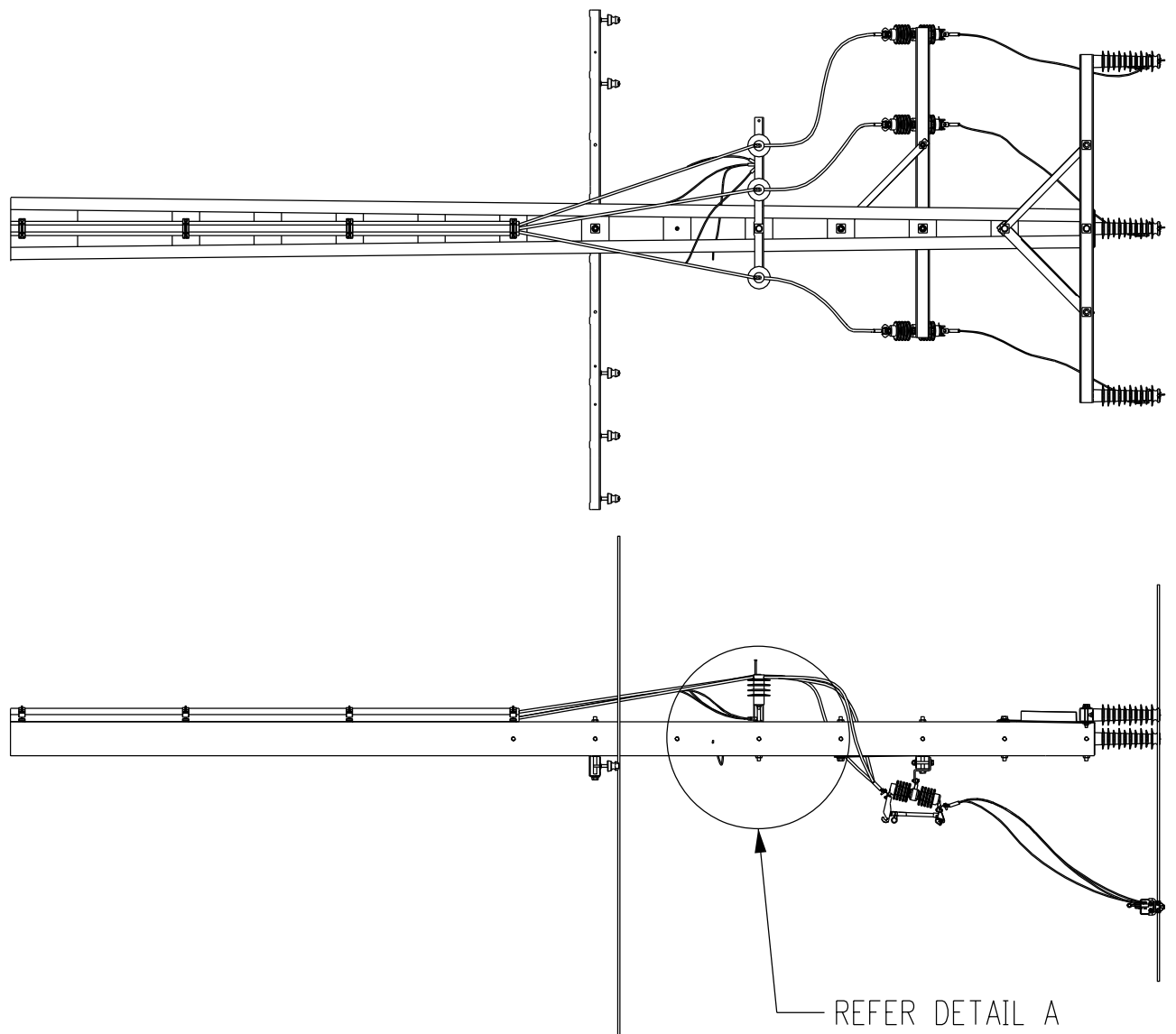


**NOTES**

1. A SEPARATE BARE 70SQMM COPPER CABLE SHALL CONNECT THE POLE TO THE UNDERGROUND MEN NETWORK. THE CABLE SHALL BE INSULATED WHEN PASSING THROUGH ANY CONCRETE FOUNDATION AND SHALL HAVE DESTINATION TAGS ATTACHED.
2. COMBINED EARTH ELECTRODES AND POLE FOOTING EARTH RESISTANCE SHALL BE NO GREATER THAN  $30\Omega$  WHEN ALL EXTERNAL HV AND LV M.E.N. CONNECTIONS ARE REMOVED.
3. COMBINED EARTH GRID RESISTANCE SHALL BE LESS THAN  $1\Omega$  WHEN ALL CMEN CONNECTIONS ARE MADE.
4. YELLOW/GREEN INSULATED CABLE FROM THE SURGE ARRESTOR CROSSARM SHALL CONNECT TO THE POLE VIA THE NEAREST EARTH ATTACHMENT HOLE USING ITEM 6 & 7.
5. REFER TO S01-2-3-11, S01-2-3-12 OR S01-2-3-13 FOR UNDERGROUND ELECTRODE EARTHING ARRANGEMENTS.



TAG No	QTY.	DESCRIPTION	STOCK CODE	DRG REF
8	3	EARTHING TERMINAL FOR PORTABLE EARTHS	402089	S01-1-5-03
7	1	M12 FLAT WASHER	400832	S01-1-4-43
6	1	M12x40 BOLT & NUT FOR EARTH ATTACHMENT	503669	S01-1-4-43
5	1	WASHER, SPRING, M10.	114314	S01-1-4-43
4	1	WASHER, FLAT, M10.	113977	S01-1-4-43
3	1	BOLT M10 x 30 C/W NUT	114405	-
2	2	LUGS FOR 70SQMM COPPER CABLES	5512	S02-1-2-11
1	AR	70SQmm YELLOW/GREEN PVC INSULATED COPPER CABLE	401059	S02-1-1-23

NO	DESCRIPTION	DRN	DATE	CKD	APPD
2	ITEM 8 ADDED	A.T.	NOV'16	I.B.	B.C.
1	NOTE 4 AMENDED, ITEM 6 & 7 ADDED	K.T.	JUN'16	I.B.	B.C.
0	ISSUED FOR CONSTRUCTION	C.C.	AUG'12	A.T.	B.C.
<b>AMENDMENTS</b>					



DES	A.TAYLOR	POWER STANDARD DRAWING	
DRN	C.COPPINS	<b>EARTHING HV - CABLE TERMINATION POLE BOLTED POLE CONSTRUCTION</b>	
CKD	A.TAYLOR		
APPD	B.CHEUNG		
SCALE	N.T.S.	<b>A3</b>	<b>DRAWING NUMBER S01-2-3-24</b>
ISSUED	AUG'12		
ALL DIM. IN	mm	<b>CAD PRODUCT - DO NOT AMEND MANUALLY</b>	
DRAFTING STANDARD TO A.S.1100		AMDT	