

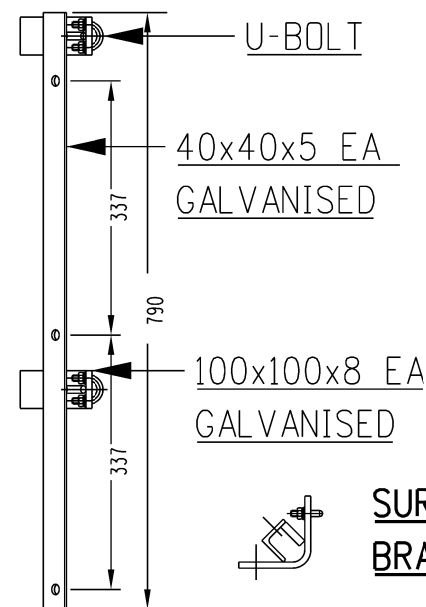
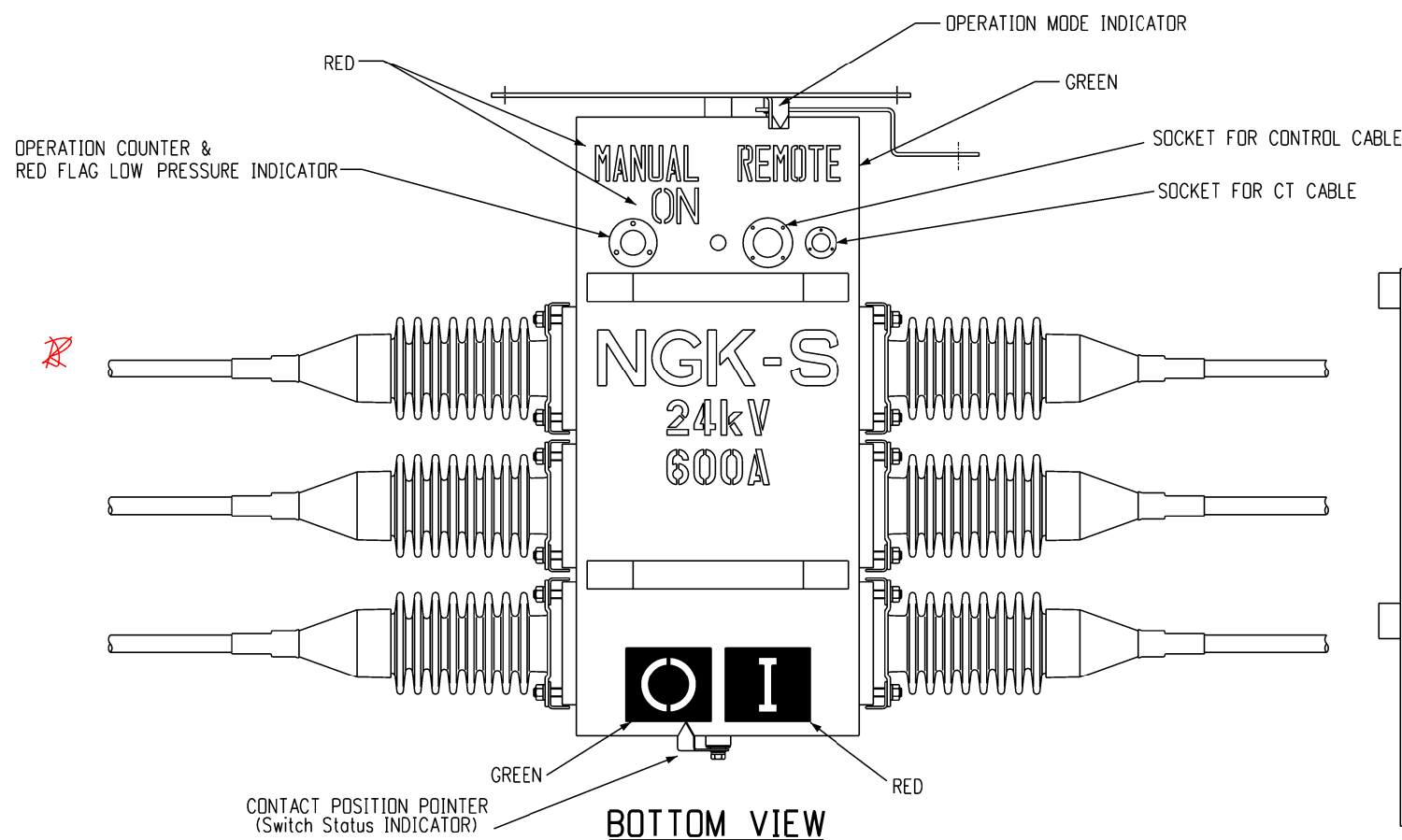
**NGK GBS HANGING ARM ITEM 2**  
125 x 125 x 5 SHS HOT DIP GALVANISED

TO "CLOSE" SWITCH → PULL DOWN ON "RED" END OF LEVER.  
TO "OPEN" SWITCH → PULL DOWN ON "WHITE" END OF LEVER FIRST, THEN TRIP USING "GREEN" TRIP LEVER.

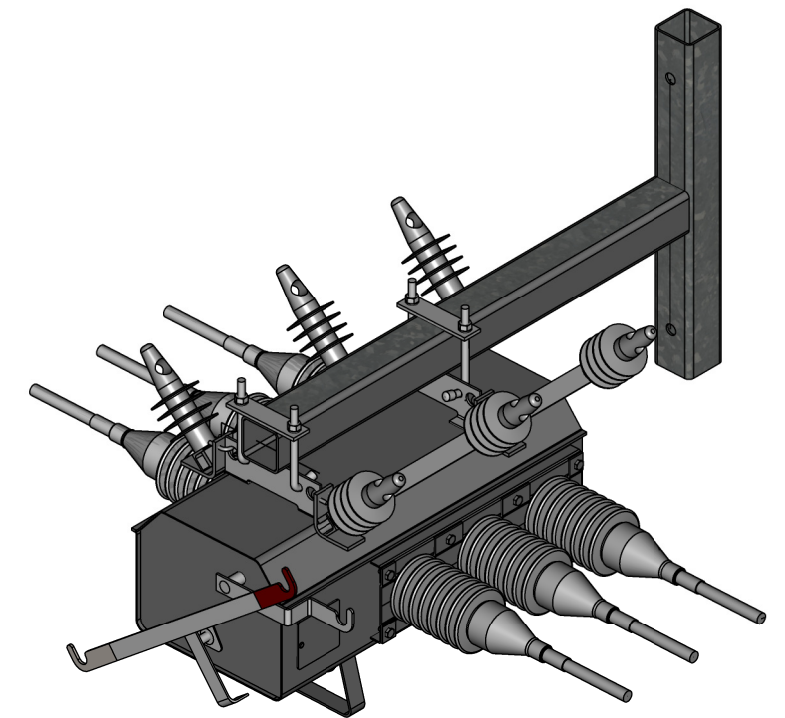
	ITEM	ITEM NUMBER
MOTORIZED GBS (REFER NOTE 1)	1	400812
CONTROL BOX		402362
HANGING ARM	2	400813
SURGE DIVERTER MOUNTING KIT	3	413103
MANUAL OPERATION GBS	4	400823

**NOTES**

- THE USE OF ITEM 1 MOTORIZED GBS AND CONTROL BOX IS PUT ON HOLD UNTIL FURTHER NOTICE. USE ITEM 4 MANUAL OPERATION GBS FOR NEW INSTALLATIONS.



**SURGE ARRESTOR BRACKET ITEM 3**



**INTERACTIVE ISOMETRIC VIEW**

DRG NO	DESCRIPTION	NO	DESCRIPTION	DRN	DATE	CKD	APPD
x	x	4	ITEM 2 MATERIAL AMENDED	C.C.	MAY'18	I.B.	B.C.
		3	ITEM 2 HANGING ARM HOLES AMENDED, ITEM 4 & NOTE 1 ADDED	I.B.	JUL'17	B.C.	B.C.
		2	HANGING ARM WALL THICKNESS CHANGED	A.T.	JAN'13	B.C.	B.C.
		1	SURGE DIVERTER MOUNTING KIT FITTED AS STANDARD	A.T.	OCT'11	B.C.	S.C.
		0	ISSUED FOR CONSTRUCTION	J.C.	SEP'11	B.C.	S.C.



DES		POWER STANDARD DRAWING	
DES	A.TAYLOR	SWITCHGEAR MATERIALS NGK GBS AND ACCESSORIES	
DRN	J.COPPINS	A3	DRAWING NUMBER S01-1-6-17
CKD	A.TAYLOR		
APPD	S.C.		
SCALE	N.T.S.		
ISSUED	APR 2011		
ALL DIM. IN mm			
DRAFTING STANDARD TO A.S.1100			CAD PRODUCT - DO NOT AMEND MANUALLY



AMDT