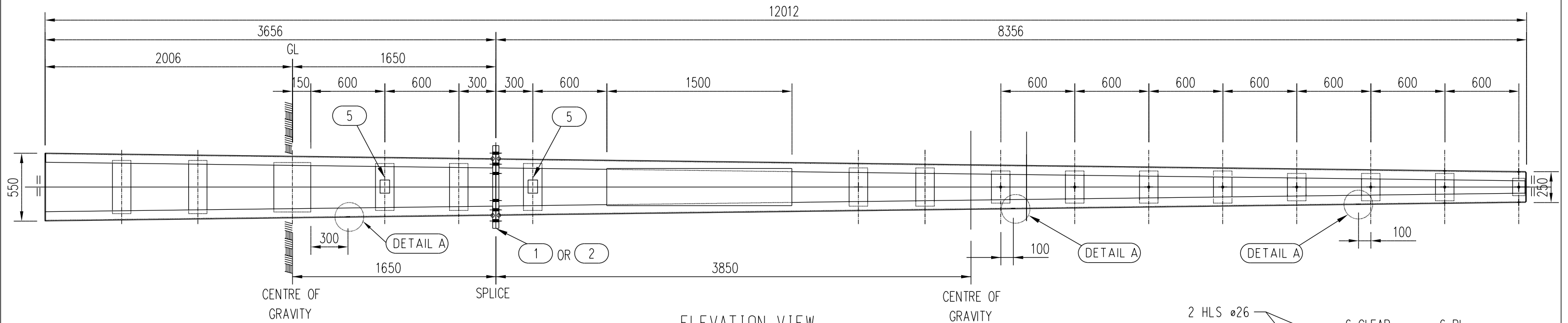


TWO PIECE SPLICED POLE 12.0B - STOCK CODE: 503620

TOTAL MASS 12.0B - TOP - 434Kg  
TOTAL MASS 12.0B - BOTTOM - 202Kg

TWO PIECE SPLICED POLE 12.0C - STOCK CODE: 503628

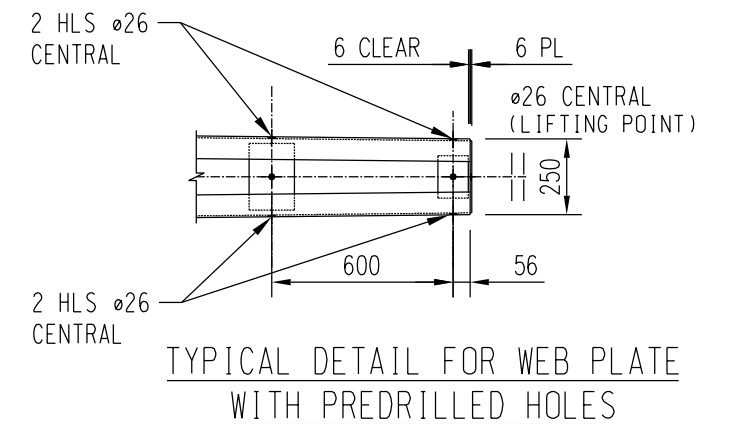
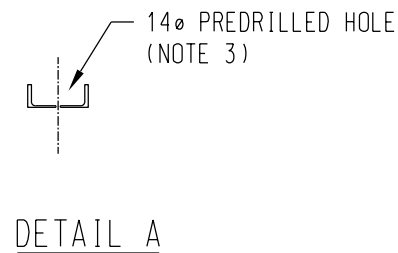
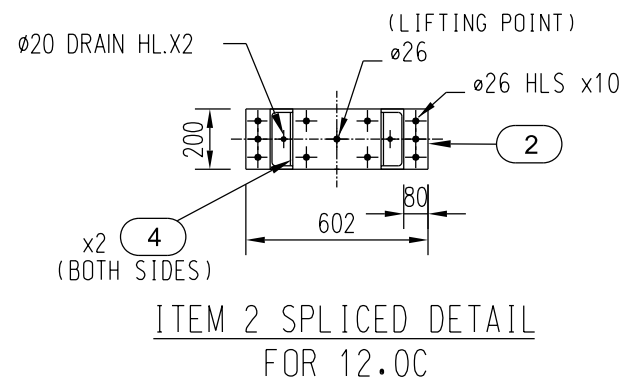
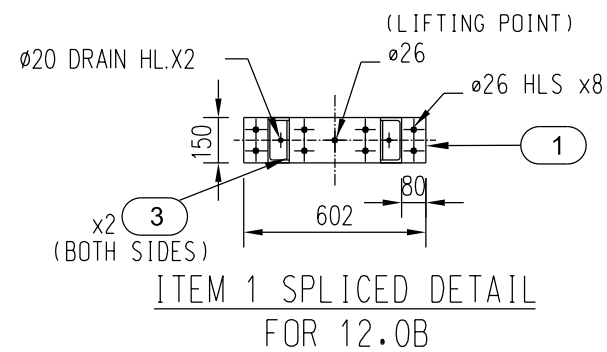
TOTAL MASS 12.0C - TOP - 544Kg  
TOTAL MASS 12.0C - BOTTOM - 254Kg



ELEVATION VIEW  
NOT TO SCALE

XXX - FABRICATOR'S NAME  
01 - 15 - MONTH AND YEAR OF FABRICATION  
12B - POLE SIZE  
1001B - UNIQUE SECTION IDENTIFIER SEQUENCE (#####T OR #####B)  
202 KG - SECTION'S TIER WEIGHT

ITEM 5 POLE DATA PLATE DETAILS



NOTES:

- CENTRE OF GRAVITY / LIFTING POINT SHALL BE MARKED ON EACH SECTION.
- TWO PIECE SPLICED POLE IS NOT THE PREFERRED OPTION FOR GREENFIELD SITES.
- 14mm PREDRILLED HOLE FOR EARTH BOND AND NEUTRAL BOND TERMINATION.
- REFER TO S01-2-1-69 FOR INSTALLATION DETAILS.
- APPLICATION OF THIS POLE IS RESTRICTED FOR INTERNAL POWER NETWORKS USE ONLY. FOR OTHER APPLICATIONS AND APPROVALS, CONTACT POWER NETWORKS STANDARDS.

ITEM	QTY. 12.0B	QTY. 12.0C	MATERIAL DESCRIPTION
1	2	-	609 x 150 x 25 FMS. FLANGE PLT. 26 DIA HOLES
2	-	2	609 x 200 x 25 FMS. FLANGE PLT. 26 DIA HOLES
3	4	-	128 x 200 x 8 FMS. STIFFENER PLT.
4	-	4	174 x 200 x 8 FMS. STIFFENER PLT.
5	2	2	POLE DATA NAMEPLATE

NO	DESCRIPTION	DRN	DATE	CKD	APPD
0	ISSUED FOR INFORMATION	J.NOY	FEB 16	A.TAY	I.BAS
AMENDMENTS					



DES	-	POWER STANDARD DRAWING		
DRN	J.NOYNAY	TWO PIECE SPLICED POLE LINE 12.0B AND 12.0C BOLTED CONNECTIONS TYPE		
CKD	A.TAYLOR			
APPD	I.BASHIR			
SCALE	AS SHOWN			
ISSUED	FEB '16	A3	DRAWING NUMBER	S01-1-1-33
ALL DIM.	IN MM			
DRAFTING STANDARD TO A.S.1100		CAD PRODUCT - DO NOT AMEND MANUALLY		AMDT