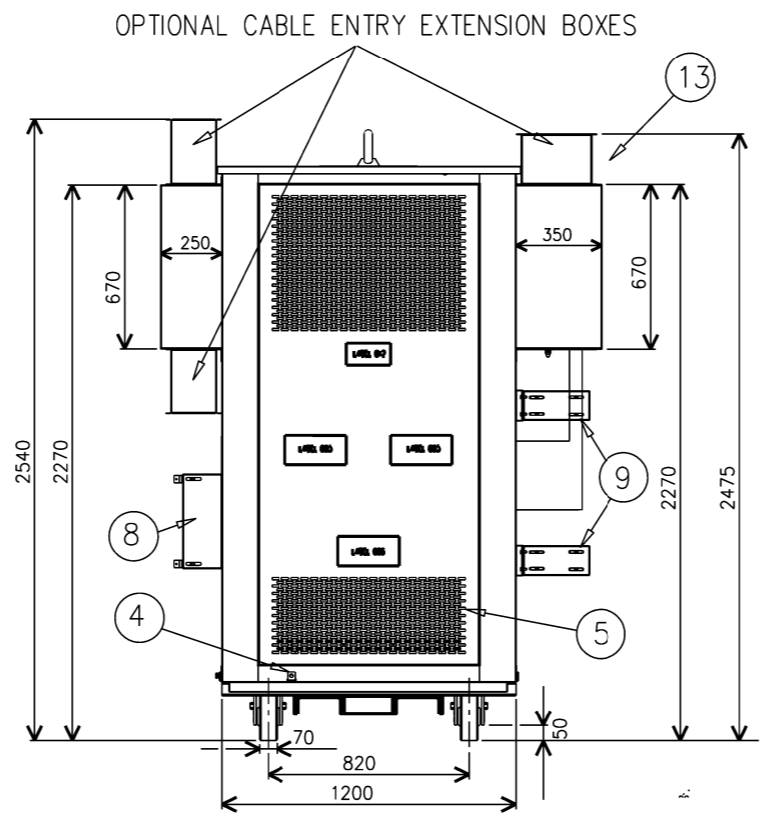
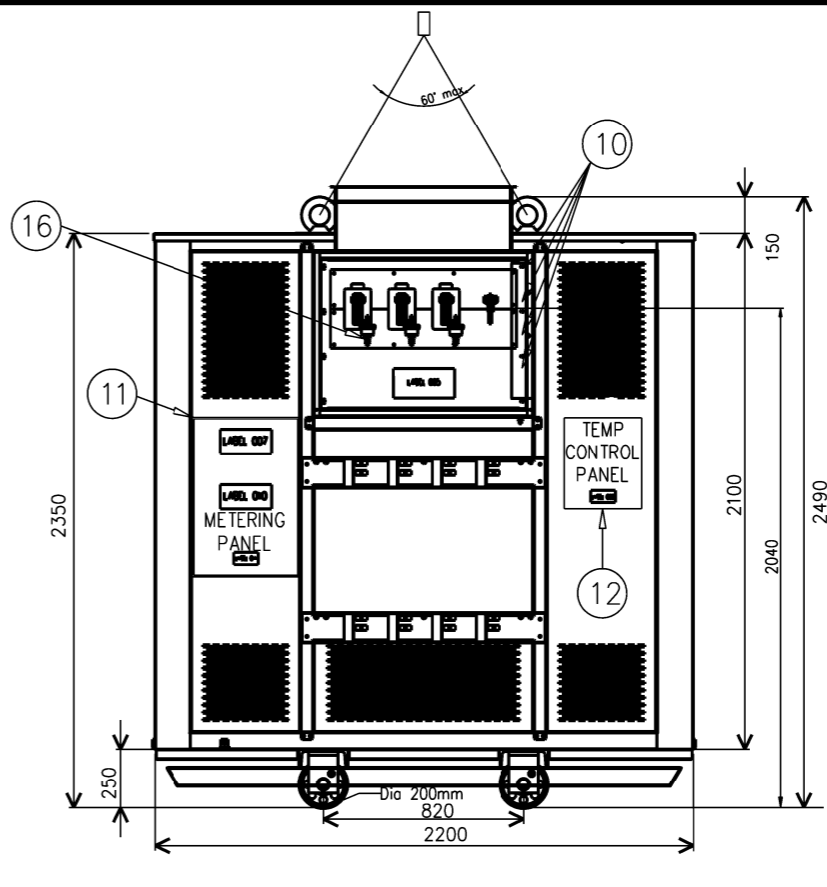


HV FRONT VIEW

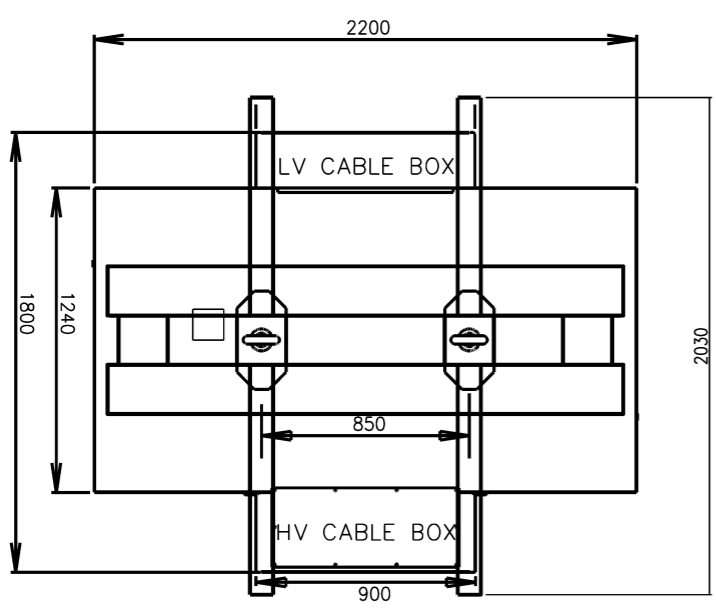


SIDE VIEW

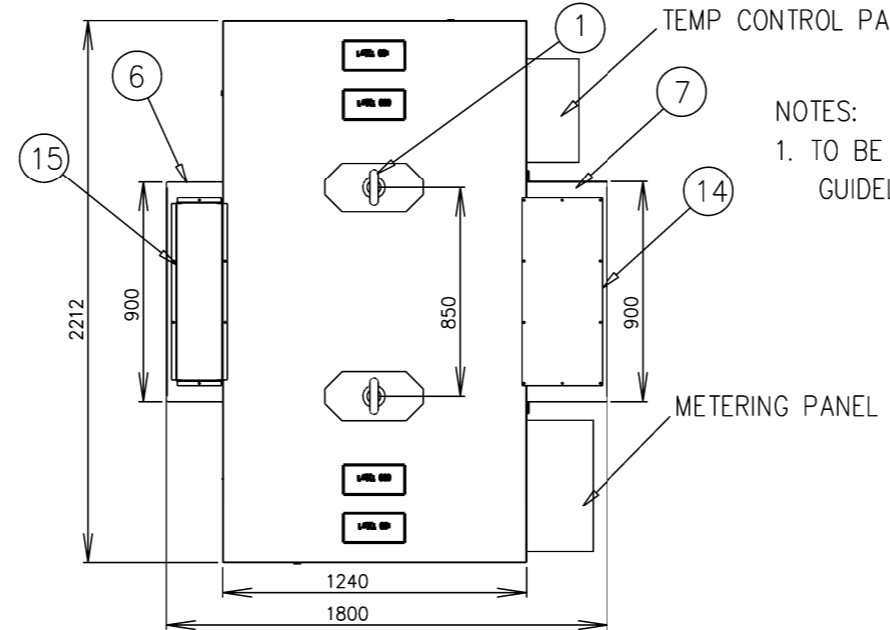


LV FRONT VIEW

11KV TRANSFORMERS	
KVA RATING	STOCK CODE
1000KVA	502494
1500KVA	TBA



PLAN VIEW - SPREADER BARS



PLAN VIEW

NOTES:  
1. TO BE READ IN CONJUNCTION WITH THE DESIGN GUIDELINES FOR UPPER LEVEL SUBSTATION CHAMBERS

ITEM	QTY	DESCRIPTION
1	2	LIFTING EYES 6.4 TON @ 60° CHAINS
2	2	WHEEL TROLLEY ASSEMBLY
3	3	REMOVABLE WINDOW TO ACCESS TAP CHANGER
4	4	EARTHING STRAPS
5	14	AIR VENTILATION LOUVRES
6	1	HV CABLE BOX
7	1	LV CABLE BOX
8	3	HV CABLES CLAMPING SYSTEM
9	8	LV CABLES CLAMPING SYSTEM
10	4	LV BOX FUSES
11	1	METERING PANEL BOX
12	1	TEMP CONTROL BOX
13	2	SPREADER BAR
14	1	UNDRILLED 3MM ALUMINIUM GLAND PLATE
15	1	UNDRILLED 3MM ALUMINIUM GLAND PLATE
16	3	LV SURGE ARRESTORS

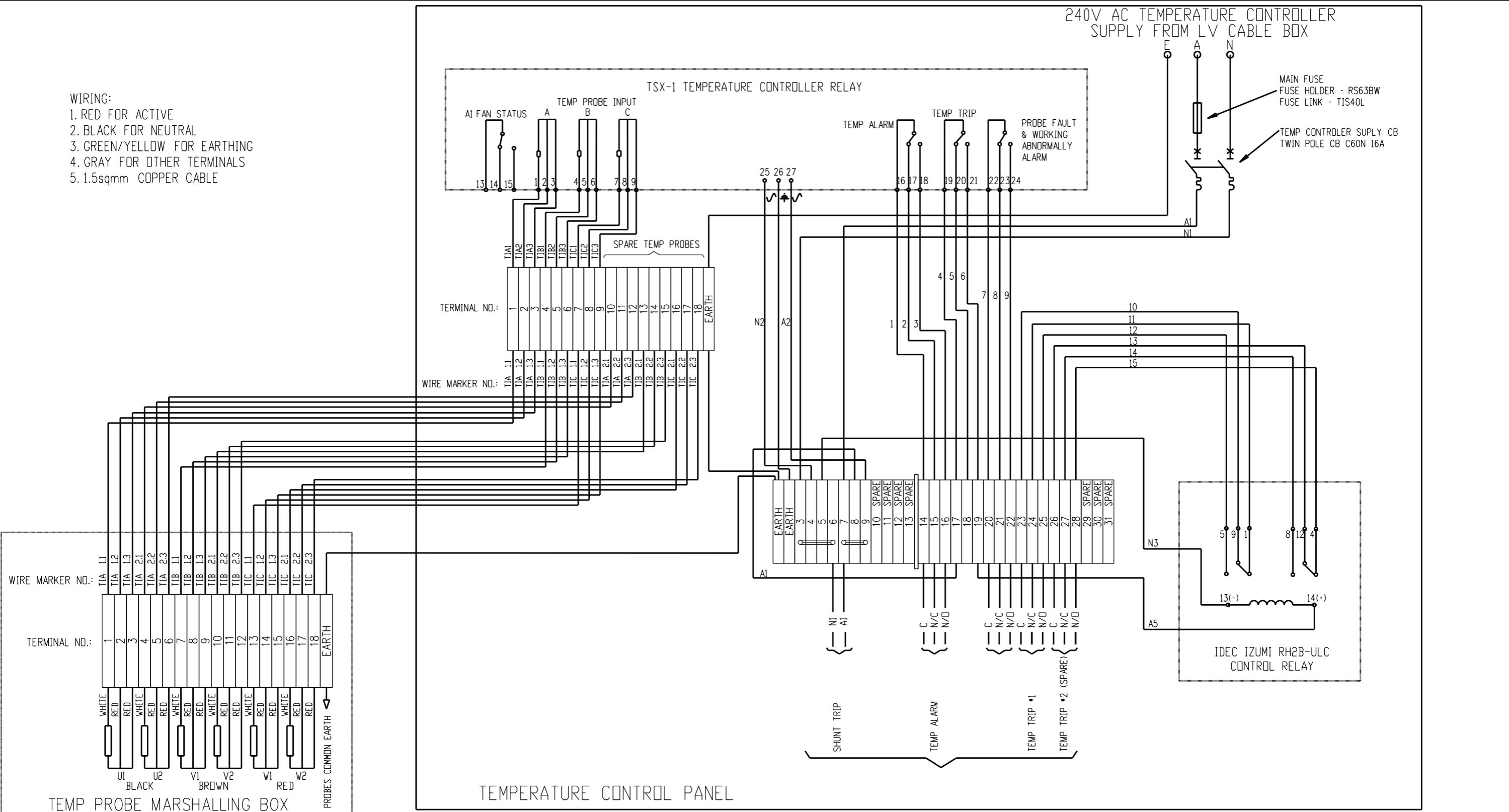
0	ISSUED FOR CONSTRUCTION	A. T.	JUN'14	B. C.	B. C.
NO	DESCRIPTION	DRN	DATE	CKD	APPD
AMENDMENTS					



DES	B. CHEUNG	POWER STANDARD DRAWING	
DRN	A. TAYLOR	TRANSFORMERS TESAR DRY TYPE IN ENCLOSURE 1000 AND 1500KVA	
CKD	A. TAYLOR		
APPD	B. CHEUNG	A3	DRAWING NUMBER S02-1-6-08_1
SCALE	N. T. S.		
ISSUED	APR'14		
ALL DIM.	IN mm		
DRAFTING STANDARD TO A.S.1100		CAD PRODUCT - DO NOT AMEND MANUALLY	



- WIRING:
1. RED FOR ACTIVE
  2. BLACK FOR NEUTRAL
  3. GREEN/YELLOW FOR EARTHING
  4. GRAY FOR OTHER TERMINALS
  5. 1.5sqmm COPPER CABLE

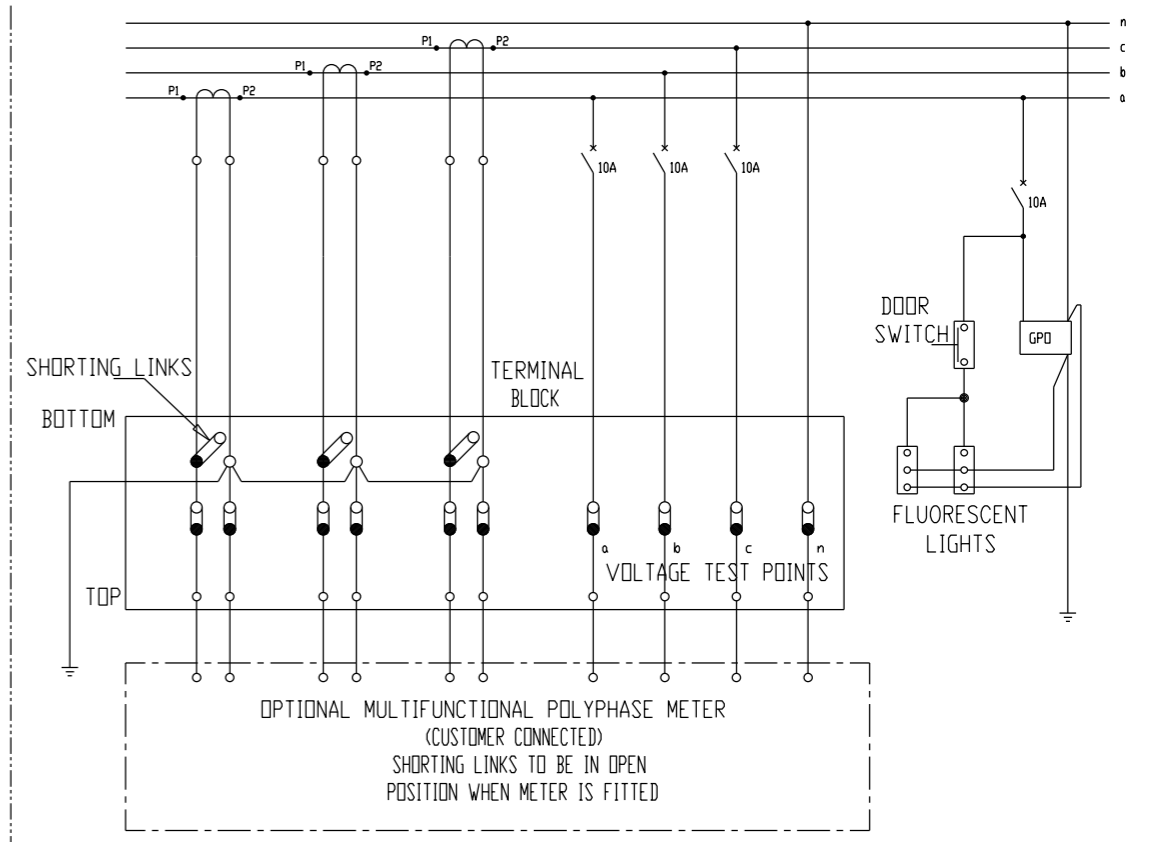
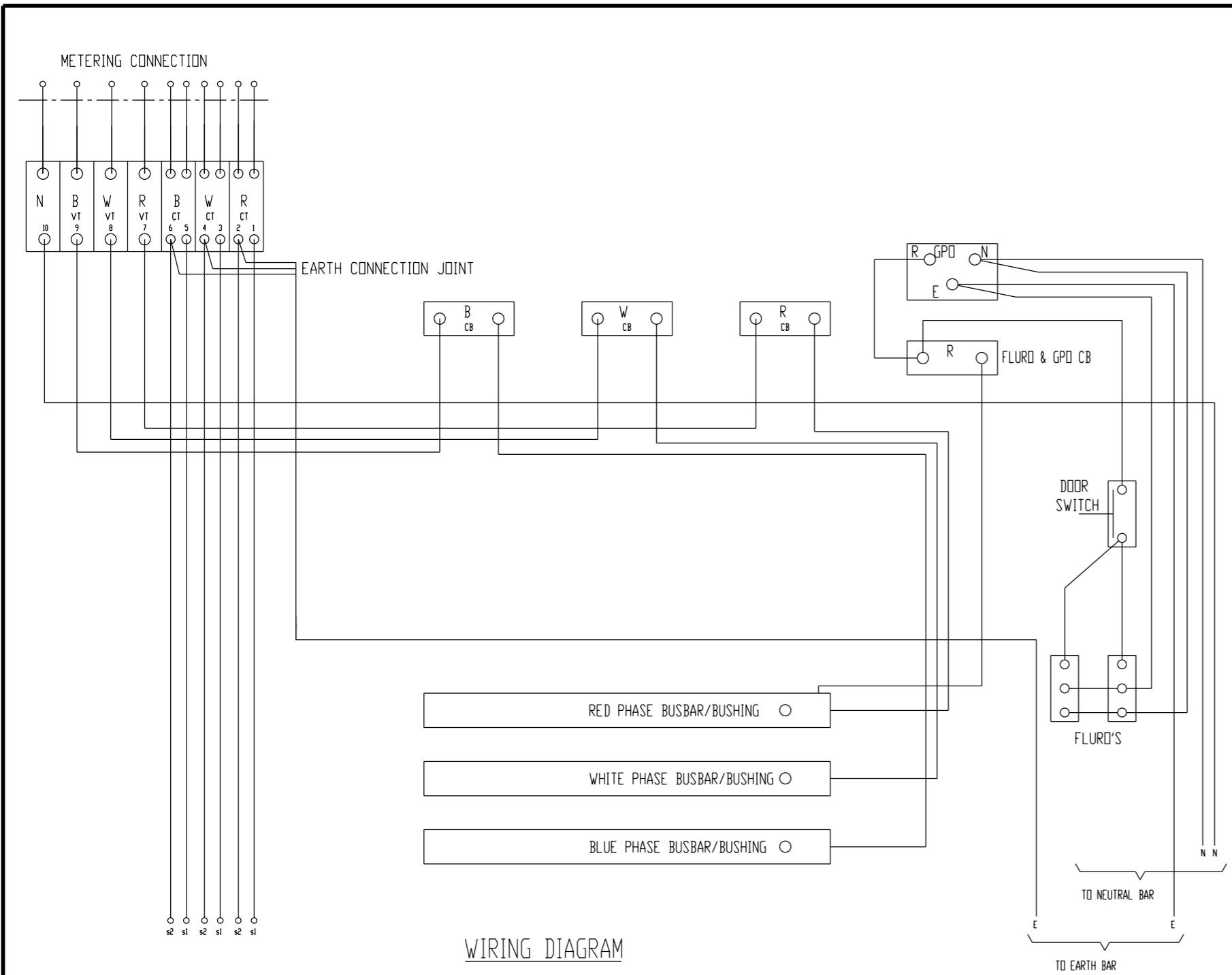


0	ISSUED FOR CONSTRUCTION	A. T.	JUN'14	A. T.	B. C.
NO	DESCRIPTION	DRN	DATE	CKD	APPD
AMENDMENTS					



DES	B. CHEUNG	POWER STANDARD DRAWING	
DRN	A. TAYLOR	TRANSFORMERS	
CKD	A. TAYLOR	TEASR DRY TYPE IN ENCLOSURE	
APPD	B. CHEUNG	1000 AND 1500KVA	
SCALE	N. T. S.	TEMPERATURE CONTROL WIRING DIAGRAM	
ISSUED	APR'14	<b>A3</b>	<b>DRAWING NUMBER</b> S02-1-6-08_2
ALL DIM.	IN mm		
DRAFTING STANDARD TO A.S.1100		CAD PRODUCT - DO NOT AMEND MANUALLY	





NOTES:

- CT1-CT3 TRANSFORMERS CURRENT METERING
- ALL FUSES CONNECTED FROM LV BUSHINGS AND WIRED USING 7/1.04mm 0.6/1kV
- ALL OTHER WIRING 7/0.67mm 0.6/1kV
- NEUTRAL/EARTH CONNECTIONS MADE TO SUBSTATION NEUTRAL/EARTH BAR
- INTERNAL SUBSTATION LIGHTING AND GPD EQUIPMENT TO BE INSTALLED EXTERNAL TO DRY TYPE TRANSFORMER ENCLOSURE

NO	DESCRIPTION	DRN	DATE	CKD	APPD
0	ISSUED FOR CONSTRUCTION	A.T.	JUN'14	A.T.	B.C.
AMENDMENTS					



DES	B.CHEUNG	POWER STANDARD DRAWING	
DRN	A.TAYLOR	TRANSFORMER	
CKD	A.TAYLOR	TESAR DRY TYPE IN ENCLOSURE	
APPD	B.CHEUNG	1000 AND 1500KVA	
SCALE	N.T.S.	METERING WIRING DIAGRAM	
ISSUED	APR'14	A3	DRAWING NUMBER S02-1-6-08_3
ALL DIM.	IN mm		
DRAFTING STANDARD TO A.S.1100		CAD PRODUCT - DO NOT AMEND MANUALLY	

