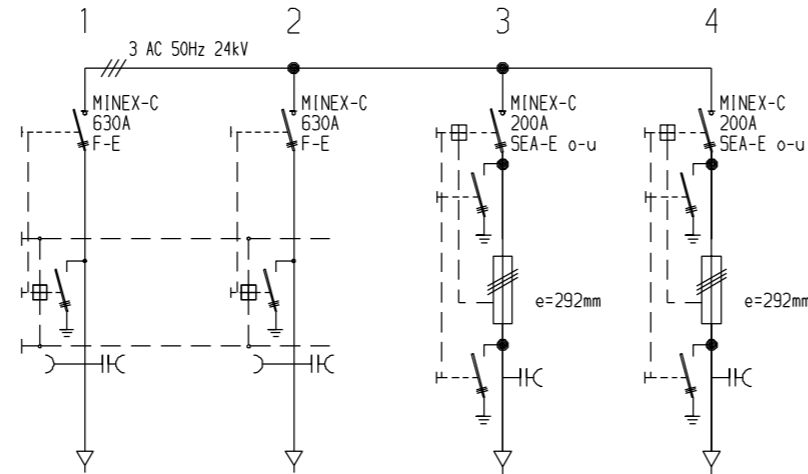
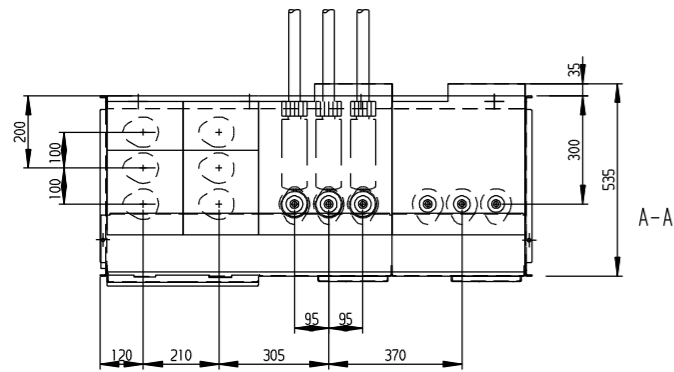


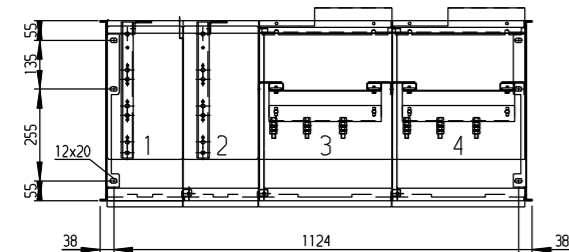
NOTES:

- ALL MINEX-C RMU'S ARE FITTED WITH THE ANTI-BURST SYSTEM INSTALLED IN THE RMU TANK AS WELL AS THE CABLE COMPARTMENTS.
- ALL RMU'S SHALL BE RATED AT 24KV, REFER TO STANDARDS BULLETIN S01-061.
- SWITCH ISOLATORS (K CUBICALS) ARE RATED AT 630A.
- FUSED SWITCHES (T CUBICALS) ARE RATED AT 200A.
- RMU FAULT RATING IS 25KA.1SEC.
- ALL BUSHINGS SHALL BE 630A IN ACCORDANCE WITH DIN 47636.
- ALL CABLE DESTINATION AND SWITCH NUMBER TAGS SHALL BE ATTACHED TO THE RMU AT THE SPECIFIED LOCATIONS WITH FACTORY PROVIDED SCREWS.
- HORTSMANN COMPASS B FAULT INDICATORS SHALL BE FITTED TO SWITCH CUBICAL 1 ON EVERY MINEX-C RMU. COMPASS B FAULT INDICATORS SHALL BE FITTED WITH 3 PHASE CT'S. IF A SUMMATION CT IS FITTED REPLACE IT WITH STOCK CODE 501788 AND RECONFIGURE THE FAULT INDICATOR.
- ALL CUBICALS SHALL BE FITTED WITH HORTSMANN WEGA 1.2C VOLTAGE INDICATORS.
- ALL FUSES USED IN MINEX-C RMU'S SHALL BE 292MM LONG DIN 43625 STANDARD. REFER TO S02-1-4-03 FOR FURTHER DETAILS.
- ALL CABLE TERMINATIONS SHALL BE STRAIGHT SCREENED DEAD-BREAK TERMINATIONS, REFER TO TABLE B FOR STOCK CODES.
- PHASE SEQUENCE IN K CUBICALS SHALL BE RED - WHITE - BLUE FROM THE FRONT TO BACK OF THE RMU.
- PHASE SEQUENCE IN T CUBICALS SHALL BE RED - WHITE - BLUE FROM LEFT TO RIGHT AS THE OPERATOR LOOKS AT THE RMU.

MINEX-C 24kV/630A



B-B



DRIESCHER MINEX-C KKT  
STOCK CODE: 413954

TABLE B  
XLPE CABLE TERMINATION BOOTS, 11kV

CABLE SIZE sq mm	STOCK CODE
95 ALUMINIUM	414778
240 ALUMINIUM	414779
300 COPPER	414780
400 ALUMINIUM	501664

XLPE CABLE TERMINATION BOOTS, 22kV

CABLE SIZE sq mm	STOCK CODE
120 COPPER	414781
240 ALUMINIUM	414783
240 COPPER	414782

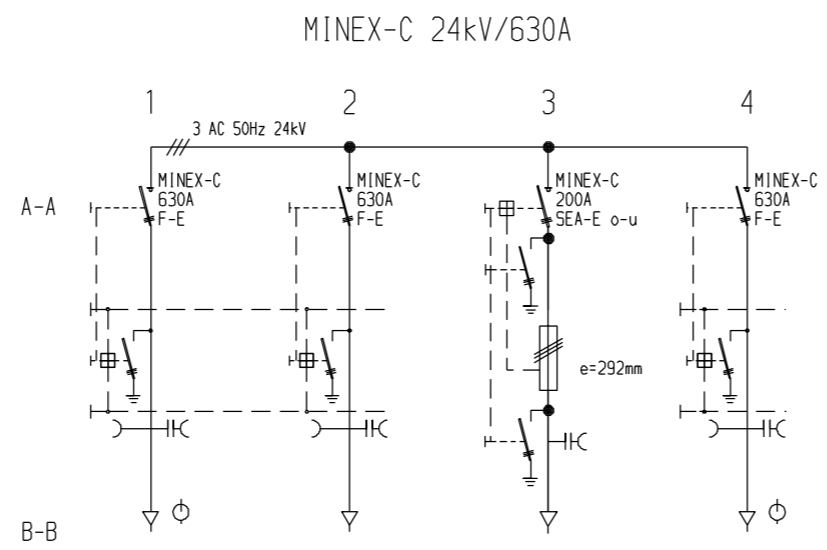
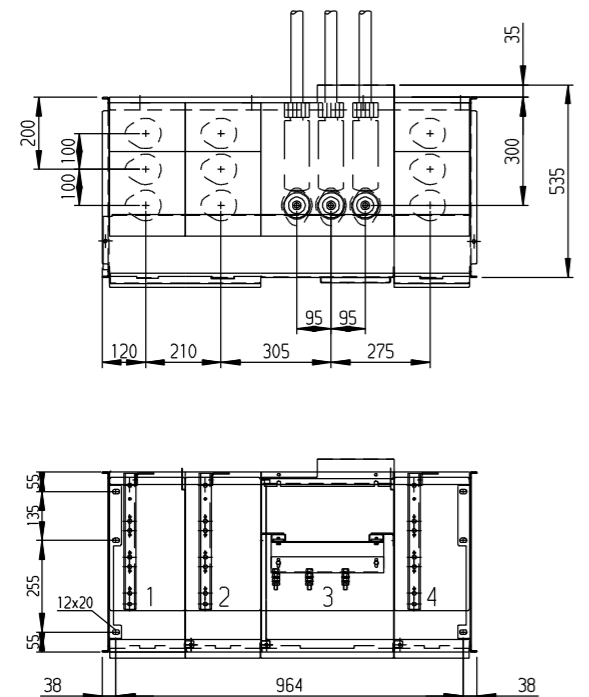
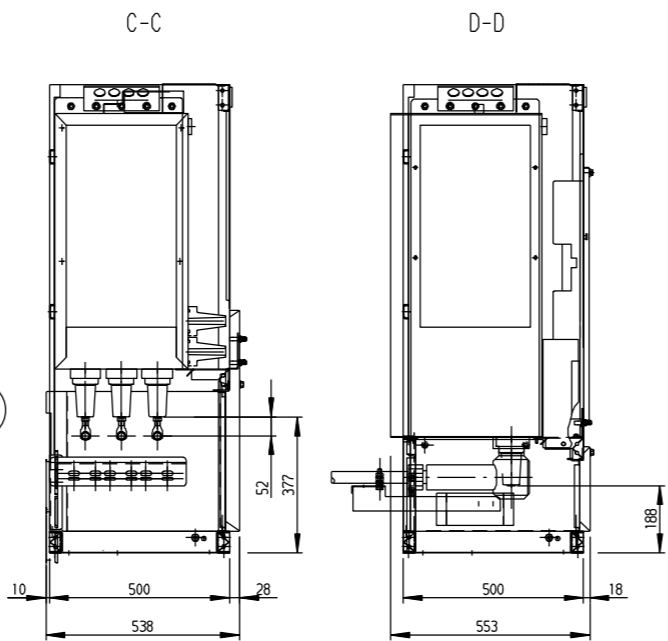
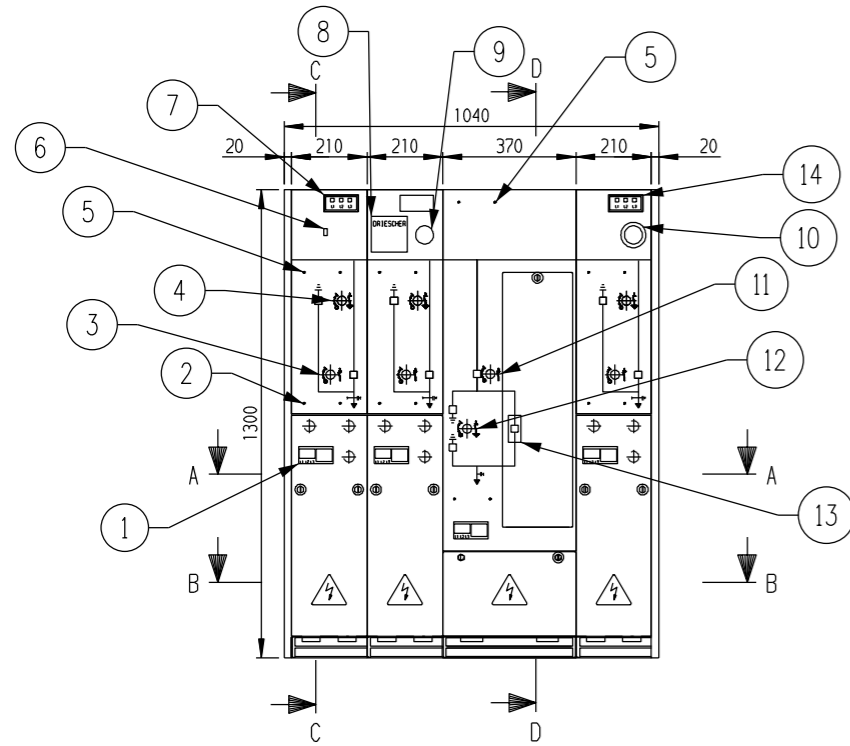
ITEM No	DESCRIPTION
1	HORTSMANN WEGA 1.2C VOLTAGE PRESENCE INDICATOR
2	CABLE DESTINATION TAG
3	SWITCH ISOLATOR OPERATING MECHANISM
4	EARTH SWITCH OPERATING MECHANISM
5	SWITCH NUMBER TAG
6	ABS OPERATION INDICATOR
7	HORTSMANN COMPASS B FAULT INDICATOR
8	RMU DATA NAME PLATE
9	INSULATION SPARK TEST POINT
10	INSULATION GAS PRESSURE INDICATOR
11	FUSE SWITCH OPERATION MECHANISM
12	FUSE EARTHING SWITCH OPERATION MECHANISM
13	FUSE INDICATOR MIMIC

NO	DESCRIPTION	DRN	DATE	CKD	APPD
1	NOTE 8 AMENDED, NOTE 9 REMOVED	A.T.	JAN'14	A.T.	B.C.
0	ISSUED FOR CONSTRUCTION	C.M.	NOV'12	A.T.	B.C.
AMENDMENTS					



DES	B.CHEUNG	POWER STANDARD DRAWING	
DRN	C.McLAREN	SWITCHGEAR	
CKD	A.TAYLOR	DRIESCHER MINEX-C RMU	
APPD	B.CHEUNG	SHEET 1 OF 3 TYPE KKT	
SCALE	N.T.S.	A3	DRAWING NUMBER S02-1-4-22_1
ISSUED	NOV'12		
ALL DIM. IN mm			
DRAFTING STANDARD TO A.S.1100		CAD PRODUCT - DO NOT AMEND MANUALLY	





DRIESCHER MINEX-C KTK  
STOCK CODE: 500479

NOTES:

1. ALL MINEX-C RMU'S ARE FITTED WITH THE ANTI-BURST SYSTEM INSTALLED IN THE RMU TANK AS WELL AS THE CABLE COMPARTMENTS.
2. ALL RMU'S SHALL BE RATED AT 24KV, REFER TO STANDARDS BULLETIN S01-061.
3. SWITCH ISOLATORS (K CUBICALS) ARE RATED AT 630A.
4. FUSED SWITCHES (T CUBICALS) ARE RATED AT 200A.
5. RMU FAULT RATING IS 25KA.1SEC.
6. ALL BUSHINGS SHALL BE 630A IN ACCORDANCE WITH DIN 47636.
7. ALL CABLE DESTINATION AND SWITCH NUMBER TAGS SHALL BE ATTACHED TO THE RMU AT THE SPECIFIED LOCATIONS WITH FACTORY PROVIDED SCREWS.
8. HORTSMANN COMPASS B FAULT INDICATORS SHALL BE FITTED TO SWITCH CUBICAL 1 ON EVERY MINEX-C RMU. COMPASS B FAULT INDICATORS SHALL BE FITTED WITH 3 PHASE CT'S. IF A SUMMATION CT IS FITTED IT SHALL BE REPLACED WITH STOCK CODE 501788 AND RECONFIGURE THE FAULT INDICATOR.
9. 4-WAY KTK RMU'S SHALL HAVE CUBICAL 4 FITTED WITH A HORTSMANN COMPASS A FAULT INDICATOR. COMPASS A FAULT INDICATORS SHALL BE FITTED WITH 3 PHASE CT'S. IF A SUMMATION CT IS FITTED REPLACE IT WITH STOCK CODE 501788 AND RECONFIGURE THE FAULT INDICATOR.
10. ALL CUBICALS SHALL BE FITTED WITH HORTSMANN WEGA 1.2C VOLTAGE INDICATORS.
11. ALL FUSES USED IN MINEX-C RMU'S SHALL BE 292MM LONG DIN 43625 STANDARD. REFER TO S02-1-4-03 FOR FURTHER DETAILS.
12. ALL CABLE TERMINATIONS SHALL BE STRAIGHT SCREENED DEAD-BREAK TERMINATIONS, REFER TO TABLE B FOR STOCK CODES.
13. PHASE SEQUENCE IN K CUBICALS SHALL BE RED - WHITE - BLUE FROM THE FRONT TO BACK OF THE RMU.
14. PHASE SEQUENCE IN T CUBICALS SHALL BE RED - WHITE - BLUE FROM LEFT TO RIGHT AS THE OPERATOR LOOKS AT THE RMU.

TABLE B  
XLPE CABLE TERMINATION BOOTS, 11kV

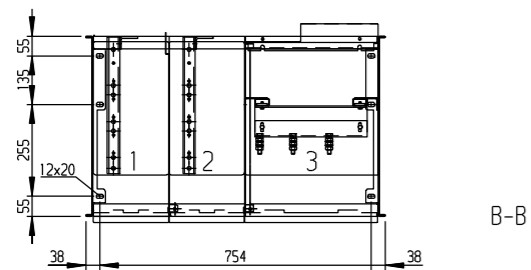
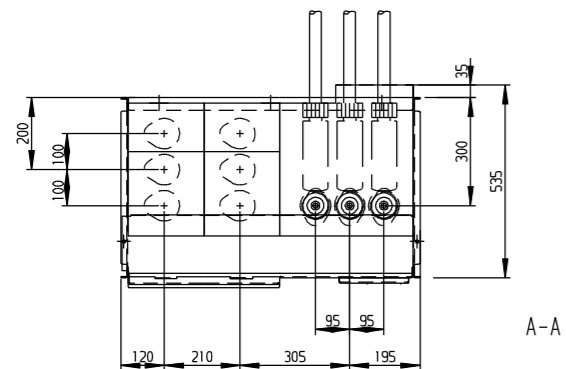
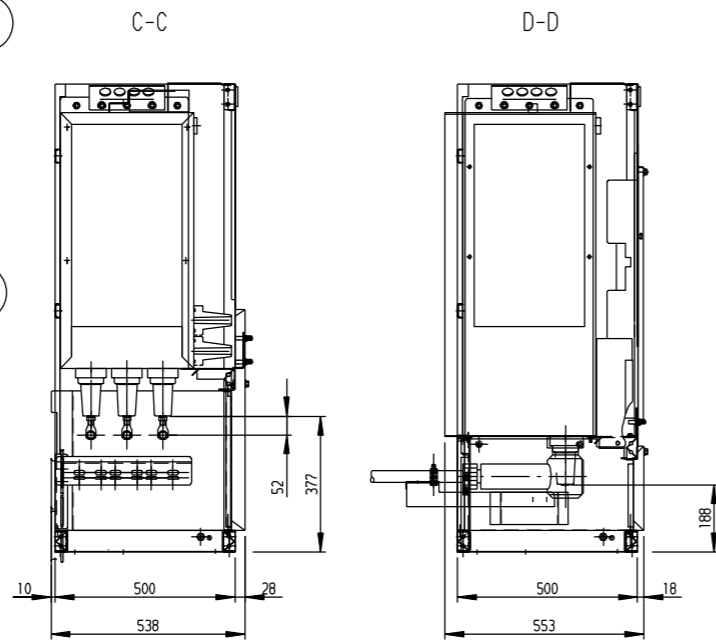
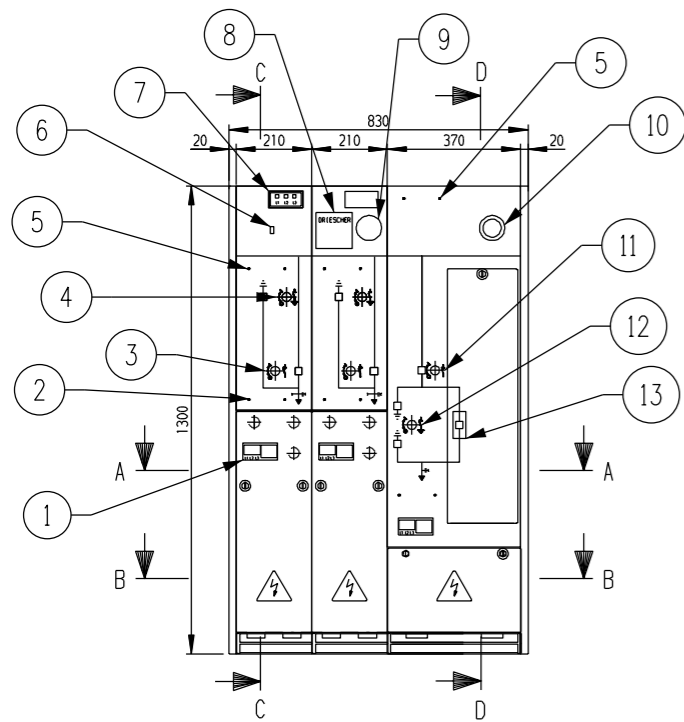
CABLE SIZE sq mm	STOCK CODE
95 ALUMINIUM	414778
240 ALUMINIUM	414779
300 COPPER	414780
400 ALUMINIUM	501664
XLPE CABLE TERMINATION BOOTS, 22kV	
CABLE SIZE sq mm	STOCK CODE
120 COPPER	414781
240 ALUMINIUM	414783
240 COPPER	414782

ITEM No	DESCRIPTION
1	HORTSMANN WEGA 1.2C VOLTAGE PRESENCE INDICATOR
2	CABLE DESTINATION TAG
3	SWITCH ISOLATOR OPERATING MECHANISM
4	EARTH SWITCH OPERATING MECHANISM
5	SWITCH NUMBER TAG
6	ABS OPERATION INDICATOR
7	HORTSMANN COMPASS B FAULT INDICATOR
8	RMU DATA NAME PLATE
9	INSULATION SPARK TEST POINT
10	INSULATION GAS PRESSURE INDICATOR
11	FUSE SWITCH OPERATION MECHANISM
12	FUSE EARTHING SWITCH OPERATION MECHANISM
13	FUSE INDICATOR MIMIC
14	HORTSMANN COMPASS A FAULT INDICATOR

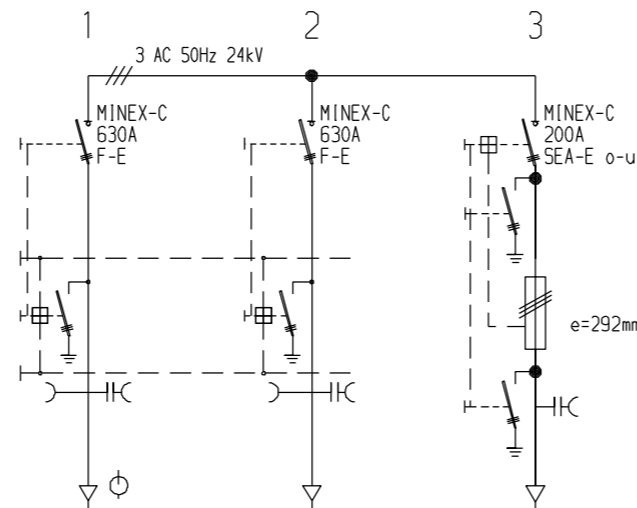
NO	DESCRIPTION	DRN	DATE	CKD	APPD
1	NOTE 8 AND 9 AMENDED	A.T.	JAN'14	A.T.	B.C.
0	ISSUED FOR CONSTRUCTION	C.M.	NOV'12	A.T.	B.C.
AMENDMENTS					



DES	B.CHEUNG	POWER STANDARD DRAWING		
DRN	C.McLAREN	SWITCHGEAR DRIESCHER MINEX-C RMU SHEET 2 OF 3 TYPE KTK		
CKD	A.TAYLOR			
APPD	B.CHEUNG			
SCALE	N.T.S.			
ISSUED	NOV'12	A3	DRAWING NUMBER	S02-1-4-22_2
ALL DIM. IN mm				
DRAFTING STANDARD TO A.S.1100			CAD PRODUCT - DO NOT AMEND MANUALLY	AMDT



MINEX-C 24kV/630A



DRIESCHER MINEX-C KKT  
STOCK CODE: 413953

NOTES:

1. ALL MINEX-C RMU'S ARE FITTED WITH THE ANTI-BURST SYSTEM INSTALLED IN THE RMU TANK AS WELL AS THE CABLE COMPARTMENTS.
2. ALL RMU'S SHALL BE RATED AT 24KV, REFER TO STANDARDS BULLETIN S01-061.
3. SWITCH ISOLATORS (K CUBICALS) ARE RATED AT 630A.
4. FUSED SWITCHES (T CUBICALS) ARE RATED AT 200A.
5. RMU FAULT RATING IS 25KA.1SEC.
6. ALL BUSHINGS SHALL BE 630A IN ACCORDANCE WITH DIN 47636.
7. ALL CABLE DESTINATION AND SWITCH NUMBER TAGS SHALL BE ATTACHED TO THE RMU AT THE SPECIFIED LOCATIONS WITH FACTORY PROVIDED SCREWS.
8. HORTSMANN COMPASS B FAULT INDICATORS SHALL BE FITTED TO SWITCH CUBICAL 1 ON EVERY MINEX-C RMU. COMPASS B FAULT INDICATORS SHALL BE FITTED WITH 3 PHASE CT'S. IF A SUMMATION CT IS FITTED REPLACE IT WITH STOCK CODE 501788 AND RECONFIGURE THE FAULT INDICATOR.
10. ALL CUBICALS SHALL BE FITTED WITH HORTSMANN WEGA 1.2C VOLTAGE INDICATORS.
11. ALL FUSES USED IN MINEX-C RMU'S SHALL BE 292MM LONG DIN 43625 STANDARD. REFER TO S02-1-4-03 FOR FURTHER DETAILS.
12. ALL CABLE TERMINATIONS SHALL BE STRAIGHT SCREENED DEAD-BREAK TERMINATIONS, REFER TO TABLE B FOR STOCK CODES.
13. PHASE SEQUENCE IN K CUBICALS SHALL BE RED - WHITE - BLUE FROM THE FRONT TO BACK OF THE RMU.
14. PHASE SEQUENCE IN T CUBICALS SHALL BE RED - WHITE - BLUE FROM LEFT TO RIGHT AS THE OPERATOR LOOKS AT THE RMU.

TABLE B

XLPE CABLE TERMINATION BOOTS, 11kV	
CABLE SIZE sq mm	STOCK CODE
95 ALUMINIUM	414778
240 ALUMINIUM	414779
300 COPPER	414780
400 ALUMINIUM	501664
XLPE CABLE TERMINATION BOOTS, 22kV	
CABLE SIZE sq mm	STOCK CODE
120 COPPER	414781
240 ALUMINIUM	414783
240 COPPER	414782

ITEM No	DESCRIPTION
1	HORTSMANN WEGA 1.2C VOLTAGE PRESENCE INDICATOR
2	CABLE DESTINATION TAG
3	SWITCH ISOLATOR OPERATING MECHANISM
4	EARTH SWITCH OPERATING MECHANISM
5	SWITCH NUMBER TAG
6	ABS OPERATION INDICATOR
7	HORTSMANN COMPASS B FAULT INDICATOR
8	RMU DATA NAME PLATE
9	INSULATION SPARK TEST POINT
10	INSULATION GAS PRESSURE INDICATOR
11	FUSE SWITCH OPERATION MECHANISM
12	FUSE EARTHING SWITCH OPERATION MECHANISM
13	FUSE INDICATOR MIMIC

NO	DESCRIPTION	DRN	DATE	CKD	APPD
1	NOTE 8 AMENDED, NOTE 9 REMOVED	A.T.	JAN'14	A.T.	B.C.
0	ISSUED FOR CONSTRUCTION	C.M.	NOV'12	A.T.	B.C.
AMENDMENTS					



DES	B.CHEUNG	POWER STANDARD DRAWING	
DRN	C.McLAREN	SWITCHGEAR	
CKD	A.TAYLOR	DRIESCHER MINEX-C RMU	
APPD	B.CHEUNG	SHEET 3 OF 3 TYPE KKT	
SCALE	N.T.S.	A3	DRAWING NUMBER S02-1-4-22_3
ISSUED	NOV'12		
ALL DIM.	IN mm	DRAFTING STANDARD TO A.S.1100	
CAD PRODUCT - DO NOT AMEND MANUALLY		AMDT	