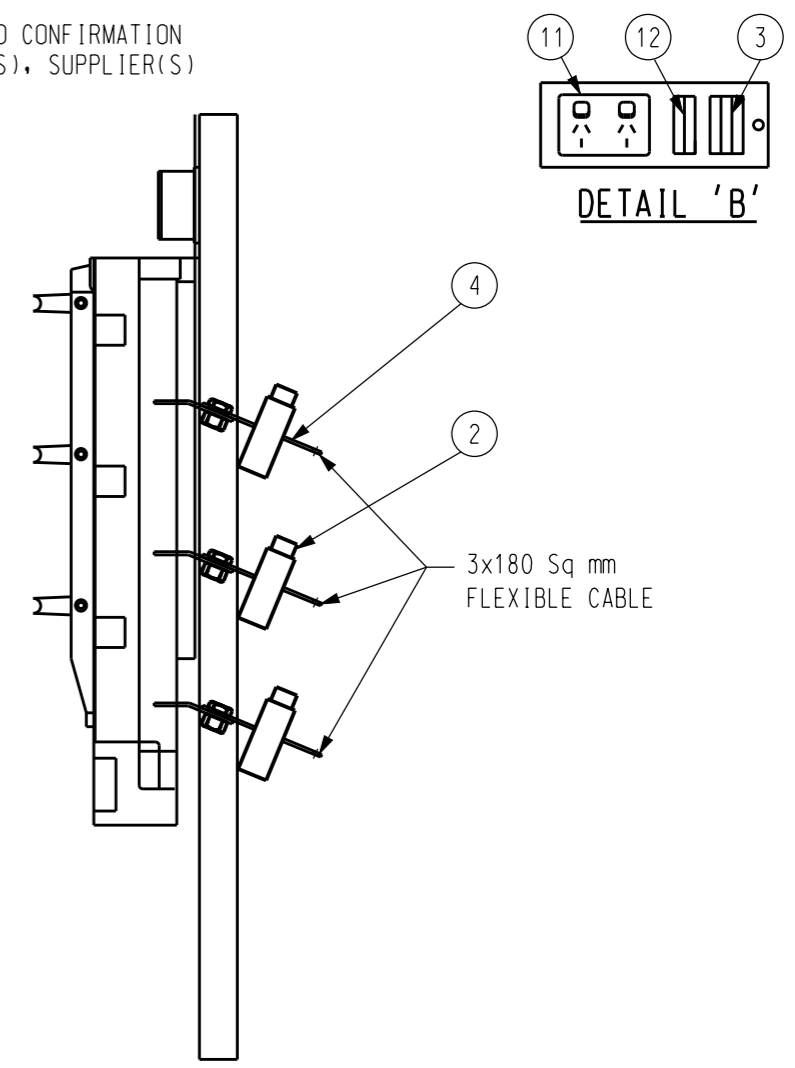
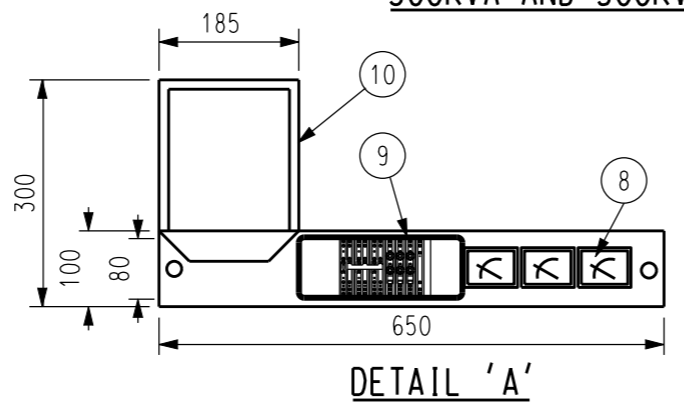


NOTE :  
 DESIGN SUBJECT TO CONFIRMATION  
 FROM MANUFACTURER(S), SUPPLIER(S)



COVER BUS BAR WITH  
 WHITE PVC SHEET 2mm  
 WITH NYLON BOLTS



- NOTES :
1. CTR FOR TRANSFORMERS UP TO 500 kVA 800/5
  2. CTR FOR 750 & 1000 kVA TRANSFORMERS 1600/5
  3. FOR 500A OR ABOVE FUSE LINK USE 1000A STRIPLE FUSE BASE.
  4. FOR TEST BLOCK WIRING (TAG 9) REFER DRAWING No. S11-2-7-25.

ITEM	QTY	STOCK CODE	DESCRIPTION
12	2	-	FUSE 10A
11	1	-	DOUBLE GPO
10	1	04 240V 5A	STANDARD ENERGY METER
9	1	192856	TEST BLOCK MARK 2
8	3	-	MAXIMUM DEMAND INDICATORS
7	1	-	FUSE SWITCH DISCONNECTOR
6	4	-	FUSE SWITCH BASE 630A OR 1000A
5	1	-	MAIN ISOLATOR
4	3	-	TAKE OFF TAGS
3	3	-	10A FUSE FOR ENERGY METER
2	3	-	CURRENT TRANFORMER (Refer Note 1)
1	2	-	GALVANISED FRAME

NO	DESCRIPTION	DRN	DATE	CKD	APPD
2	SUPERSEDED	A.T.	DEC'12	B.C.	B.C.
1	ORIENTATION OF VIEW B CHANGED, NOTE ADDED	A.S.	AUG'06	R.S.	S.C.
AMENDMENTS					



DES B.CHEUNG	POWER STANDARD DRAWING		
DRN K. IBBOTT	<b>LOW VOLTAGE PANEL WALL MOUNTED GENERAL ARRANGEMENT</b>		
CKD B.CHEUNG			
APPD S.C	A3	DRAWING NUMBER	S02-1-7-11
SCALE 1 : 10			
ISSUED JUL '06			AMDT
ALL DIM. IN mm			
DRAFTING STANDARD TO A.S.1100		CAD PRODUCT - DO NOT AMEND MANUALLY	