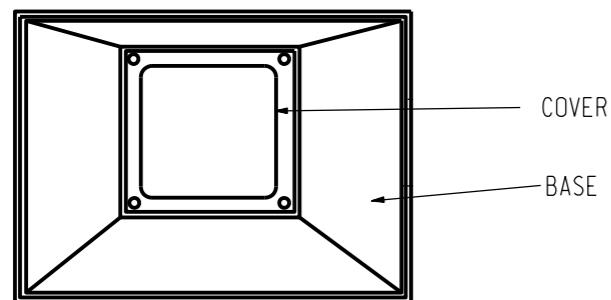
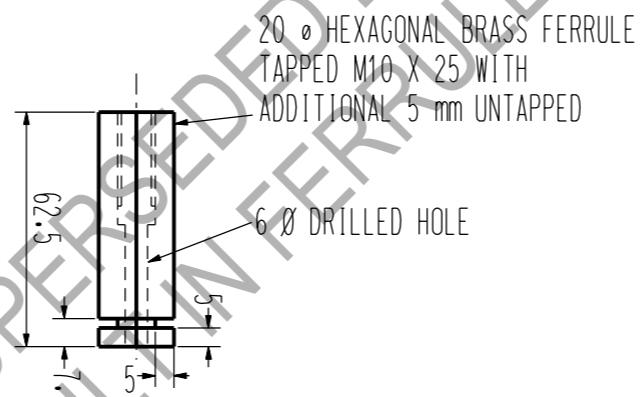


PILLAR REINFORCING COLLAR AND ASSOCIATED ITEMS

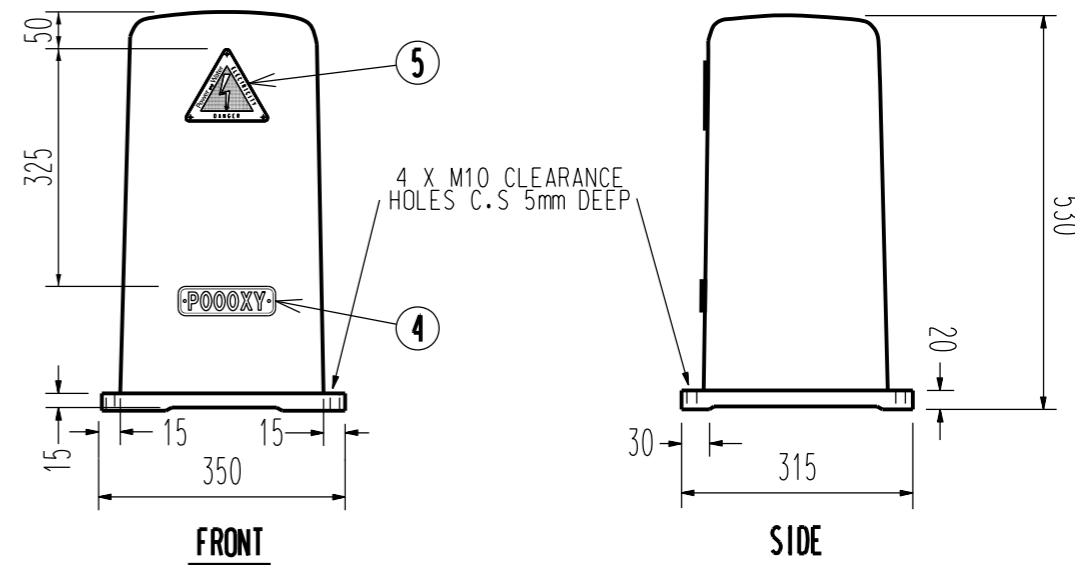
QTY	ITEM	STOCK CODE
1	PILLAR REINFORCING COLLAR	413123
4	M10x50mm SS BOLT	413422
4	M10, 2mmx3mm NYLON WASHER	413421



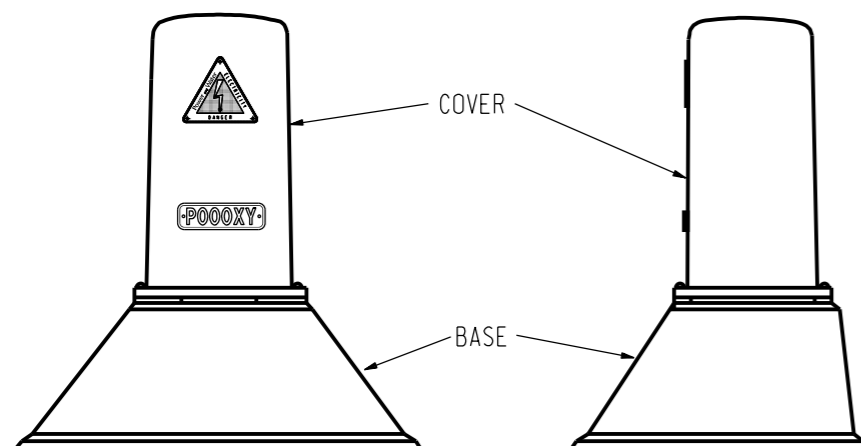
PLAN (TOP VIEW)



DETAIL OF FERRULE

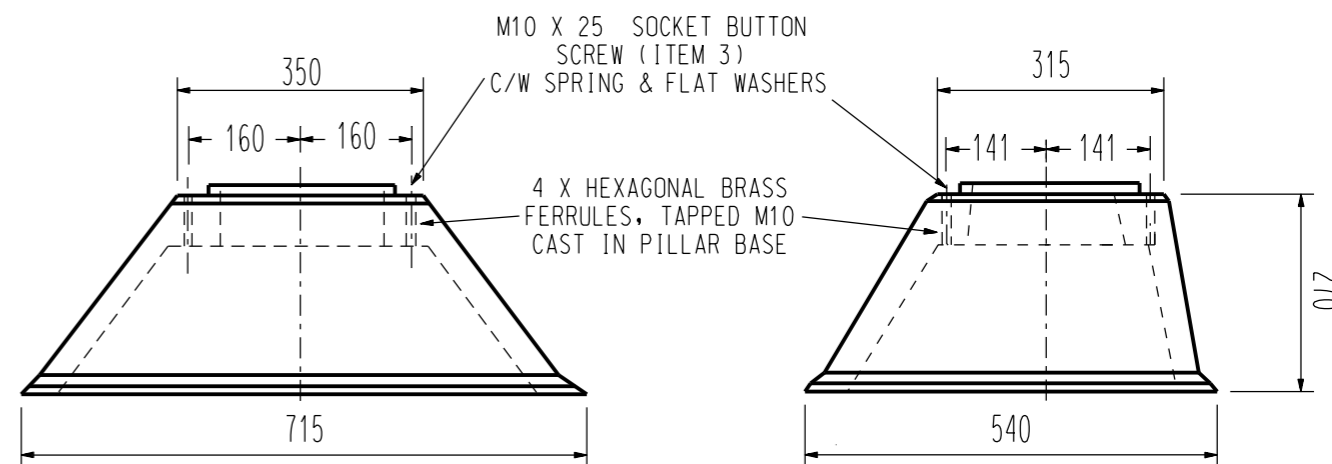


**DETAIL OF COVER
(ITEM 1)**



FRONT

SIDE



**DETAIL OF BASE
(ITEM 2)**

NOTES :

- COVER TO BE HEAVY WALLED, FIRE RESISTANT FIBERGLASS OR POLYTHENE, COLOUR-OLIVE GREEN.
- BASE TO BE GLASS REINFORCED CONCRETE.
- FERRULES TO BE BRASS AND FIXED INTO BASE
- SCREWS AND WASHERS TO BE STAINLESS STEEL AND SUPPLIED WITH BASE.

5	1	SIGN 'DANGER - ELECTRICITY'	-	S02-1-8-30
4	1	SIGN PILLAR	-	S02-1-8-30
3	4	SCREWS M10x25mm	8300	-
2	1	PILLAR BASE	3533	-
1	1	PILLAR COVER	3582	-
ITEM	QTY.	DESCRIPTION	STOCK CODE	DRAWING No.

NO	DESCRIPTION	DRN	DATE	CKD	APPD
10	PILLAR COLLAR STOCK CODE ADDED	I.B.	SEP'16	A.T.	B.C.
9	SUPERSEDED	A.T.	DEC'12	B.C.	B.C.
8	ITEMS 3 & 4 ADDED. TITLE CHANGED	AS	AUG'06	RS	SC
7	REDRAWN ON CAD. DETAIL OF FERULLE AMENDED.	JAL	JUL'95	SCM	PJD
NO	DESCRIPTION	DRN	DATE	CKD	APPD
AMENDMENTS					

PowerWater
NORTHERN TERRITORY

DES	J. HASSANEN	POWER STANDARD DRAWING		
DRN	R. HAIGH	DISTRIBUTION PILLARS RESIDENTIAL TYPE BASE, COVERS AND SIGNS		
CKD	G. Mc SHANAG			
APPD	I. CUK			
SCALE	N.T.S.			
ISSUED	FEB'86	A3	DRAWING NUMBER	S02-1-3-01
ALL DIM.	IN mm			
DRAFTING STANDARD TO A.S.1100		CAD PRODUCT - DO NOT AMEND MANUALLY		AMDT