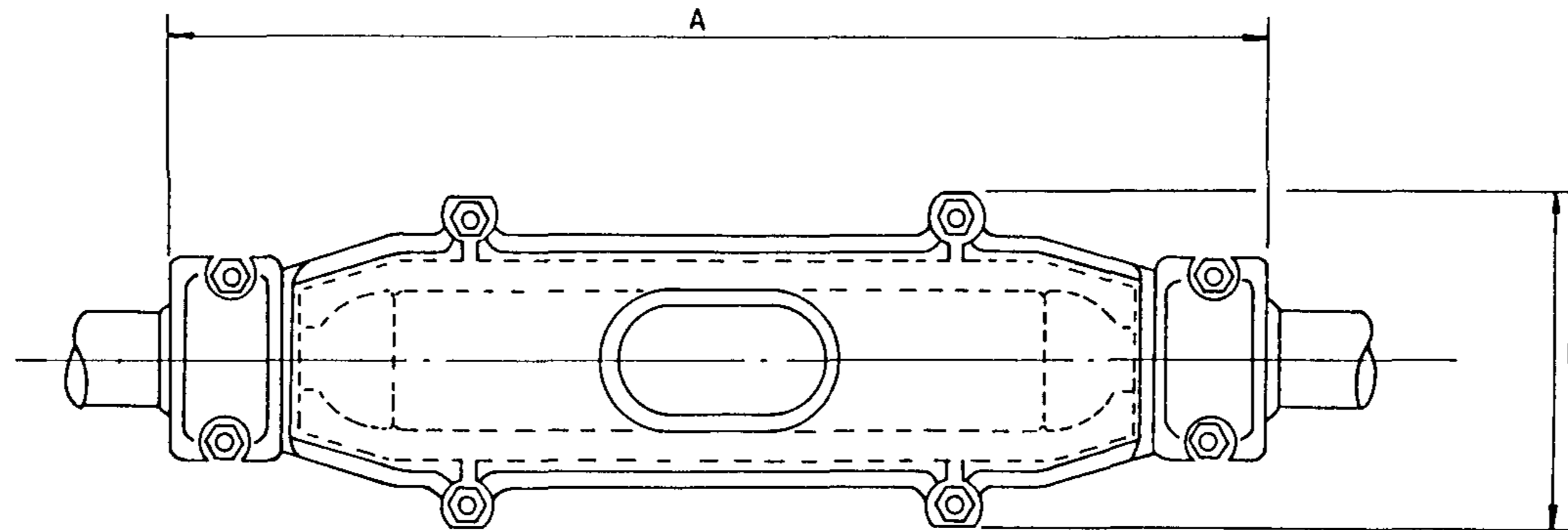
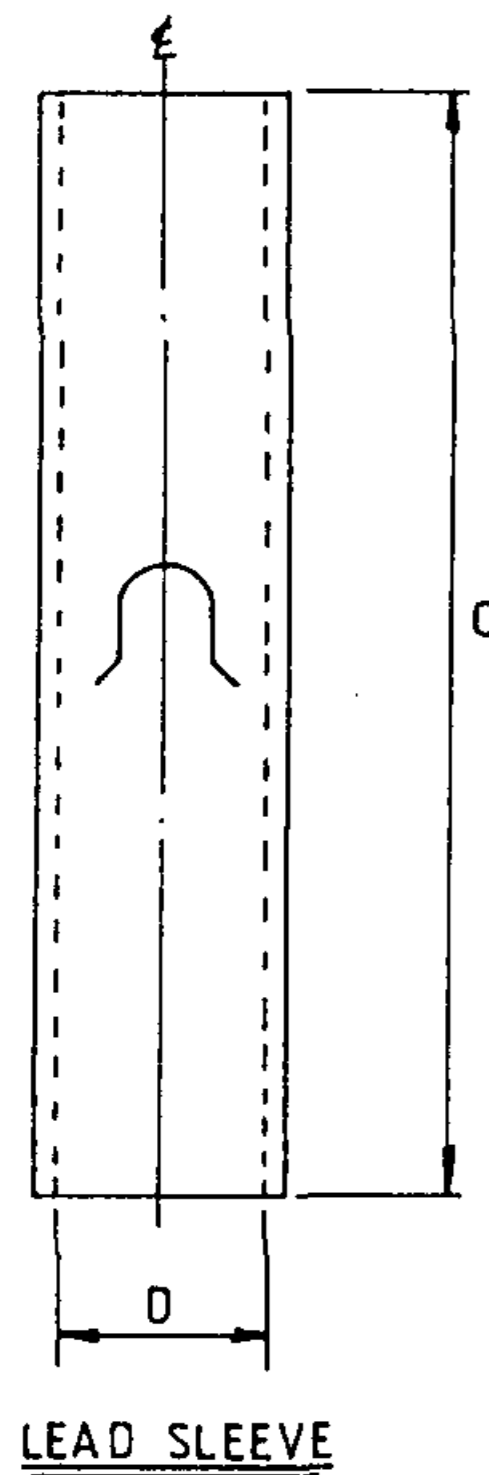


3RD ANGLE — DO NOT SCALE — REPORT ANY ERRORS, OMISSIONS TO DRAFTING OFFICE



ITEM	CABLE SIZE	ITEM	STOCK CODE	C.I. BOX			LEAD SLEEVE	
				Dim A	W'DTH-B	D'PTH	LGTH-C	DIA-D
1	70mm <sup>2</sup>	C.I.Box, lead sleeve	7690	543mm	146mm	116mm	381mm	59mm
2	120mm <sup>2</sup>	" " " "	7716	645mm	168mm	138mm	457mm	76mm
3	240mm <sup>2</sup>	" " " "	7724	855mm	225mm	195mm	620mm	100mm

NOTE:  
For phase to phase jointing, larger lead sleeve and cast iron box may be necessary.

ITEM SIMILAR TO :-

SIZE	G.E.C. HENLY LTD.			BICC COMPONENTS LTD.	
	C.I. Box	Casting no.	Lead sleeve	C.I. Box	Lead sleeve
70mm <sup>2</sup>	26011	3391	26004	C71439-01	C14072-61
120mm <sup>2</sup>	26012	3278	26007	C71440-01	C14072-65
240mm <sup>2</sup>				C71442-01	C14072-70

NOTE  
70mm<sup>2</sup> joint suits  
95mm<sup>2</sup> as well  
240mm<sup>2</sup> joint suits  
300mm<sup>2</sup> as well

TECHNICAL DATA:  
Man. to spec. B.S. 6480:1969

MATERIAL:  
Box - Cast iron.  
Sleeve - Lead.

					DES R. HAIGH	N.T. STANDARD DRAWING		
					DRN T.E. SEDEN	TITLE CABLE JOINTING & TERMINATIONS		
					CKD <i>[Signature]</i> 27/6/85	JOINT-COPPER - 3 1/2 CORE		
					APPD <i>[Signature]</i>	0-6/1kV-BELTED		
					ISSUED 7/11/85	PAPER LEAD		
					DRAFTING STANDARD TO A.S. 1100	A3	DRAWING NUMBER S2-1-2-7	
					ALL DIM. IN mm	SCALE NTS	SHEET	
AMENDMENTS								
Nº	DESCRIPTION	DATE	INT'L.					
5	TITLE & Drg NUMBER CHANGED	5/88						
4	ITEM & STOCK CODES ADDED	01.87	<i>[Signature]</i>					
3	INDEX NO ALTERED	8.86	RPP					
2	REDRAWN & REVISED	1.85	T.R.					