

11kV CABLES

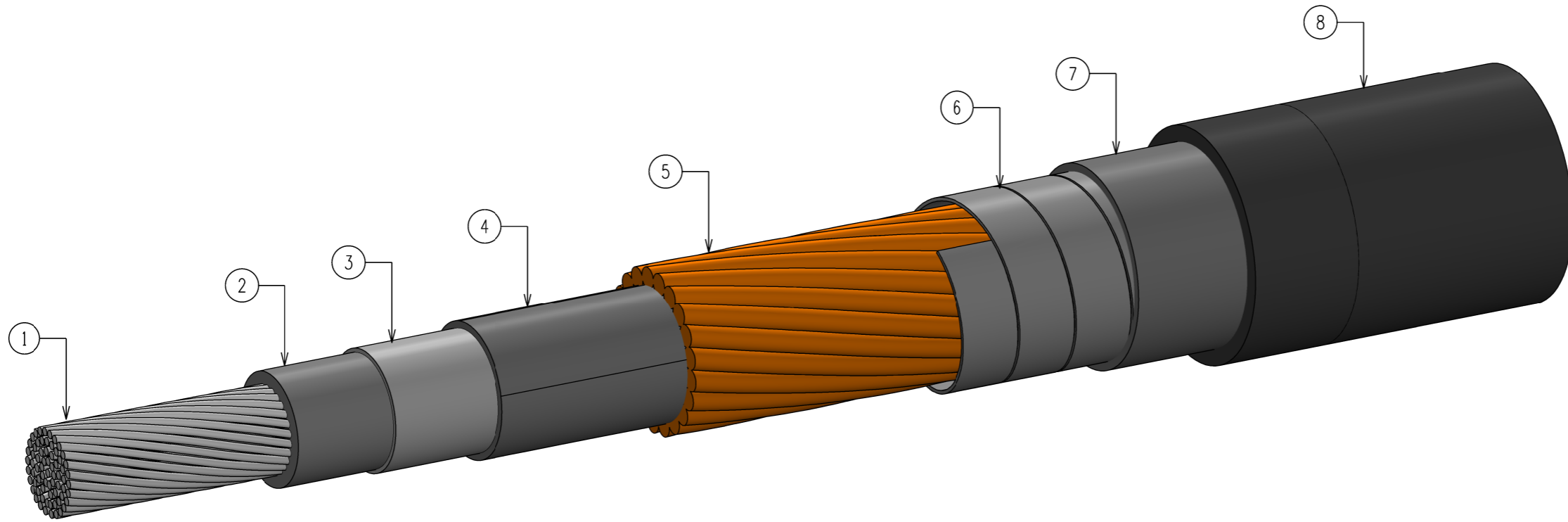
NOTES

1. EXCEPT WHERE OTHERWISE SPECIFIED THE CABLE SHALL COMPLY WITH AS1429.
2. THE CABLE SHALL BE PERMANENTLY MARKED WITH MANUFACTURERS IDENTIFICATION, YEAR OF MANUFACTURE AND VOLTAGE RATING AT INTERVALS ALONG THE OUTER PVC SHEATH OF THE CABLE.
3. THE CABLE SHALL ALSO HAVE ITS LENGTH PRINTED AT INTERVALS ALONG THE SHEATH, CONSISTING OF CONSECUTIVE NUMBERS NOMINALLY SPACED AT ONE METRE.
4. THE CORE OF CABLE SHALL BE IDENTIFIED BY THE NUMBERS 1 (ONE), 2 (TWO), 3 (THREE) PRINTED AS NUMERALS AND WORDS ON THE OUTER SURFACE OF EACH CORE.
5. CABLE TO BE WOUND ON DRUM IN SUCH A FASHION AS TO ENSURE LEGIBILITY OF ABOVE INFORMATION IN NOTES 2 AND 3.
6. THE CABLE MUST BE "DRY CURED" (IN LIEU OF "STEAM CURING").
7. DATA OBTAINED FROM PRYSMIAN DATA SHEETS APRIL 2008
8. BASED ON 40°C AMBIENT AIR TEMP NOT EXPOSED TO DIRECT SUNLIGHT, BURIAL DEPTH OF 0.8m, SOIL TEMP OF 25°C AND SOIL THERMAL RESISTIVITY OF 1.2°C M/W.
9. SCREEN SHORT CIRCUIT RATING BASED ON 80-250°C TEMPERATURE RISE
10. CONDUCTOR SHORT CIRCUIT RATING BASED ON 90-250°C TEMPERATURE RISE

No.	DESCRIPTION	UNIT	CONDUCTOR AREA (sq.mm)			
			35	95	240	400
1	ALUMINIUM-WATER BLOCKED, DIAMETER	mm	7.0	11.5	18.3	23.4
2	EXTRUDED SEMI-CONDUCTIVE SCREEN BONDED TO INSULATION-NON-FREE STRIPPABLE, THICKNESS	mm	0.6	0.6	0.6	0.6
3	CROSS-LINKED POLYETHYLENE INSULATION, THICKNESS	mm	3.4	3.4	3.4	3.4
4	EXTRUDED FREE STRIPPING SEMI-CONDUCTIVE MATERIAL, THICKNESS	mm	0.8	0.8	0.8	0.8
5	WATER BLOCKING TAPE, THICKNESS	mm	0.3	0.3	0.3	0.3
6	NEUTRAL SCREEN COPPER					
7	POLYESTER TAPE, THICKNESS	mm	0.10	0.10	0.10	0.10
8	OUTER SHEATH : HDPE 60 CONTAINING CYPERENTHRIN 0.12%	mm	1.8	1.8	1.8	1.8
	OVERALL DIAMETER OF CABLE		28	33	40	46
	WEIGHT OF CABLE		870	1590	2480	3080
	STOCK CODE					

NO	DESCRIPTION	DRN	DATE	CKD	APPD
3	PVC SHEATH REMOVED WATER BLOCKING TAPE MOVED	J.C.	JUNE'10	A.T.	S.C.
2	CABLES ADDED, SHEET 2 ADDED, NOTES ADDED	J.C.	AUG'08	A.T.	S.C.
1	ITEM 9 & TITLE AMENDED	J.C.	MAR'08	B.C.	S.C.
0	ISSUED FOR COMMENT	A.S.	MAY'07	R.S.	S.C.

	DES	-	POWER STANDARD DRAWING	
	DRN	A. SCHMID	CABLES ALUMINIUM - SINGLE CORE 11kV & 22kV ANTI-TERMITTE/CYERMTHRIN SHEET 1 OF 2	
	CKD	R. SOOD		
	APPD	S.C.		
	SCALE	N.T.S.	A3	DRAWING NUMBER S02-1-1-36
ISSUED	MAY'07			
ALL DIM. IN	mm	CAD PRODUCT - DO NOT AMEND MANUALLY		



22kV CABLES

DESCRIPTION	UNIT	CONDUCTOR CROSS SECTIONAL AREA (sqmm)					
		35	95	240	400	500	
Aluminium conductor, water blocked, diameter	mm	7.1	11.5	18.3	23.5	26.6	
Semi conductive XLPE conductor screen							
XLPE insulation, thickness	mm	5.5	5.5	5.5	5.5	5.5	
Semi conductive XLPE insulation screen							
Heavy duty plain annealed copper earth screen							
Polypropylene tape							
HDPE-60 and Termitex sheath							
Overall diameter of cable	mm	27.5	33	40.1	46.4	49.7	
Weight of Cable	kg/km	810	1480	2340	2980	3360	
stock code		407180	407181	407182	407179	407177	
Bending radius	During installation	mm	690	830	1010	1160	1250
	Installed	mm	420	500	610	700	750
Max. pulling tension	Stocking	kN	1.7	3.8	5.6	7.5	8.6
	Conductor	kN	1.7	4.7	12	20	25
Continous current rating (refer to note 8)	Unenclosed in air	A	140	255	455	600	690
	Direct duried	A	135	235	380	490	550
	Buried in ducts	A	135	225	350	430	475
Short circuit current rating	Copper screen (note 9)	kA/1sec	3.3	9	13.1	13.1	13.1
	Phase conductor (note 10)	kA/1sec	3.3	9	22.7	37.8	47.2

NOTES

- EXCEPT WHERE OTHERWISE SPECIFIED THE CABLE SHALL COMPLY WITH AS1429.
- THE CABLE SHALL BE PERMANENTLY MARKED WITH MANUFACTURERS IDENTIFICATION, YEAR OF MANUFACTURE AND VOLTAGE RATING AT INTERVALS ALONG THE OUTER PVC SHEATH OF THE CABLE.
- THE CABLE SHALL ALSO HAVE ITS LENGTH PRINTED AT INTERVALS ALONG THE SHEATH, CONSISTING OF CONSECUTIVE NUMBERS NOMINALLY SPACED AT ONE METRE.
- THE CORE OF CABLE SHALL BE IDENTIFIED BY THE NUMBERS 1 (ONE), 2 (TWO), 3 (THREE) PRINTED AS NUMERALS AND WORDS ON THE OUTER SURFACE OF EACH CORE.
- CABLE TO BE WOUND ON DRUM IN SUCH A FASHION AS TO ENSURE LEGIBILITY OF ABOVE INFORMATION IN NOTES 2 AND 3.
- THE CABLE MUST BE "DRY CURED" (IN LIEU OF "STEAM CURING").
- DATA OBTAINED FROM PRYSMIAN DATA SHEETS APRIL 2008
- BASED ON 40°C AMBIENT AIR TEMP NOT EXPOSED TO DIRECT SUNLIGHT, BURIAL DEPTH OF 0.8m, SOIL TEMP OF 25°C AND SOIL THERMAL RESISTIVITY OF 1.2°C M/W.
- SCREEN SHORT CIRCUIT RATING BASED ON 80-250°C TEMPERATURE
- CONDUCTOR SHORT CIRCUIT RATING BASED ON 90-250°C TEMPERATURE RISE

NO	DESCRIPTION	DRN	DATE	CKD	APPD
3	PVC SHEATH REMOVED WATER BLOCKING TAPE MOVED	J.C.	JUNE'10	A.T.	S.C.
2	CABLES ADDED, SHEET 2 ADDED, NOTES ADDED	J.C.	AUG'08	A.T.	S.C.
1	ITEM 9 & TITLE AMENDED	J.C.	MAR'08	B.C.	S.C.
0	ISSUED FOR COMMENT	A.S.	MAY'07	R.S.	S.C.
AMENDMENTS					

DES	-	POWER STANDARD DRAWING	
DRN	A. SCHMID	CABLES ALUMINIUM - SINGLE CORE 11kV & 22kV ANTI-TERMITITE/CYERMTHRIN SHEET 2 OF 2	
CKD	R. SOOD		
APPD	S.C.		
SCALE	N.T.S.		
ISSUED	MAY'07	A3	DRAWING NUMBER
ALL DIM. IN mm			
DRAFTING STANDARD TO A.S.1100		CAD PRODUCT - DO NOT AMEND MANUALLY	