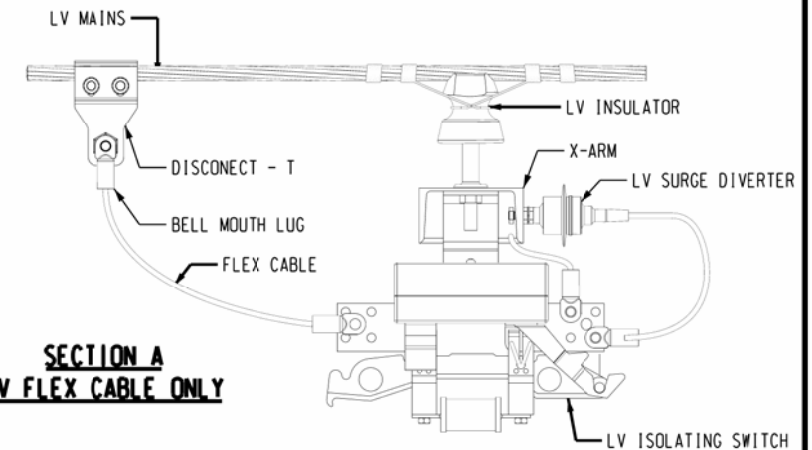


1  
S01-1-2-05

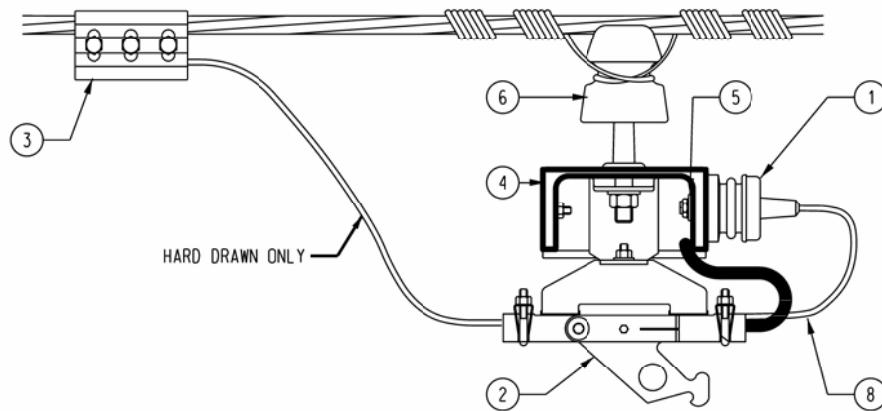
**LV CROSSARM TRANSFORMER ARRANGEMENT**

**NOTES:**

1. LV FUSED ISOLATORS TO BE INSTALLED ON SUBSTATIONS 200kVA AND BELOW.
2. 400A ISOLATOR WITH BOLTED CONNECTION IS SHOWN. LUG CONNECTION IS USED ON 800A ISOLATOR. REFER TO DRAWING S01-2-6-01 FOR APPROPRIATE ISOLATOR/LUG AND CABLE SIZES.
3. REFER TO S01-1-6-08 FOR ISOLATION FUSE SWITCH STOCK CODES. REFER TO S01-1-6-01 FOR ISOLATING SWITCH STOCK CODES.



**SECTION A  
LV FLEX CABLE ONLY**



HARD DRAWN ONLY

**SECTION A  
LV LINK TERMINATION ACTIVE PHASE**

9	1	CLAMP, NEUTRAL BOND	2147	S01-1-4-17
8	AR	CABLE LV FLEXIBLE SINGLE CORE	-	S01-2-6-01
7	1	LV NEUTRAL LINE PIN ASSEMBLY TYPE LPN	-	S01-2-1-03
6	4	LV LINE PIN ASSEMBLY TYPE LP	-	S01-2-1-03
5	3210	STRAP, EARTHING, BARE COPPER 25 X 3mm	9837	S01-1-5-05
4	1	TRANSFORMER & CABLE TERMINATION CROSSARM	406610	S01-1-2-20
3	4	CLAMP, BIMETAL - PARALLEL GROOVE	115774	S01-1-4-25
2	3	LV ISOLATING SWITCH	-	S01-1-6-08/S01-1-6-01
1	3	LV SURGE DIVERTER	10041	S01-1-4-20
TAG NO	QTY	DESCRIPTION	STOCK CODE	DRG REF

MATERIAL SCHEDULE

12	LV SWITCH UPDATED, ALTERNATIVE SECTION "A" ADDED	J.C.	APR'09	A.T.	S.C.
11	NEUTRAL BOND REMOVED IN SECTION A	J.C.	NOV'08	B.C.	S.C.
10	ITEM 4 : STOCK CODE CHANGED	A.S.	APR'07	R.S.	S.C.
9	REDRAWN AND NOTE 1 AMENDED	RGI	APR'01	-	FRR
8	MATERIAL LIST AND NOTES AMENDED	JAL	MAY'95	SCM	PJD
7	SURGE DIVERTERS REPOSITIONED	gmck	MAY'91	-	N.S.
NO	DESCRIPTION	DRN	DATE	CKD	APPD

AMENDMENTS

**PowerWater**

DES	-	POWER STANDARD DRAWING		
DRN	R.T.F.	SUBSTATIONS, POLE MOUNTED LV TERMINATIONS GENERAL ARRANGEMENT		
CKD	N.S.			
APPD	B.K.	A3	DRAWING NUMBER	S01-2-6-05
SCALE	N.T.S.			
ISSUED	FEB'91	DRAFTING STANDARD TO A.S.1100		
ALL DIM.	IN mm			
CAD PRODUCT - DO NOT AMEND MANUALLY		AMD		