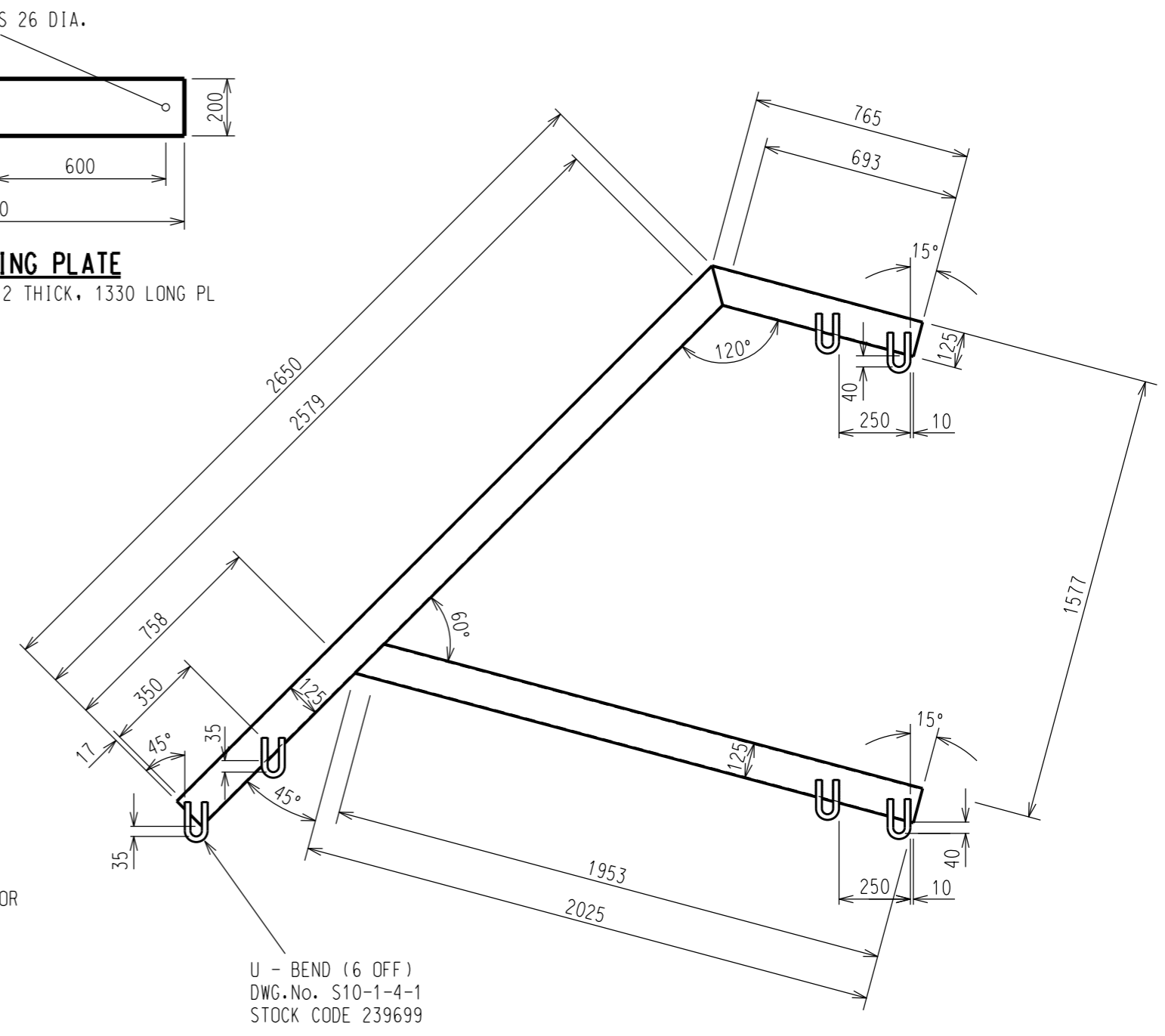


ELEVATION

- NOTE :
1. ALL WELDS TO BE 6mm FILET U.N.O.
 2. REFER TO DWG S01-1-4-04 FOR SUSPENSION CLAMPS



WISHBONE CONSTRUCTION

MATERIAL : 125 x 75 x 4 RHS
 MAXIMUM DEVIATION = 22°
 STOCK CODE 402038
 INCLUDES MOUNTING PLATE

NO	DESCRIPTION	DRN	DATE	CKD	APPD
1	STOCK CODES ADDED, DRAWING NUMBERS ADDED	J.C.	NOV'08	B.C.	S.C.
0	ISSUED FOR CONSTRUCTION	A.S.	JAN '04	M.B.	M.B.
AMENDMENTS					



DES	M. BOCK	POWER STANDARD DRAWING			
DRN	A. SCHMID	ASSEMBLIES			
CKD	M. BOCK	22kV WISHBONE ARRANGEMENT			
APPD	C. PEMBERTON	FOR UNIVERSAL POLE CONSTRUCTION			
SCALE	1:20	A3	DRAWING NUMBER	S01-2-1-46	
ISSUED	JAN'04				
ALL DIM.	IN mm				
DRAFTING STANDARD TO A.S.1100		CAD PRODUCT - DO NOT AMEND MANUALLY		AMDT	