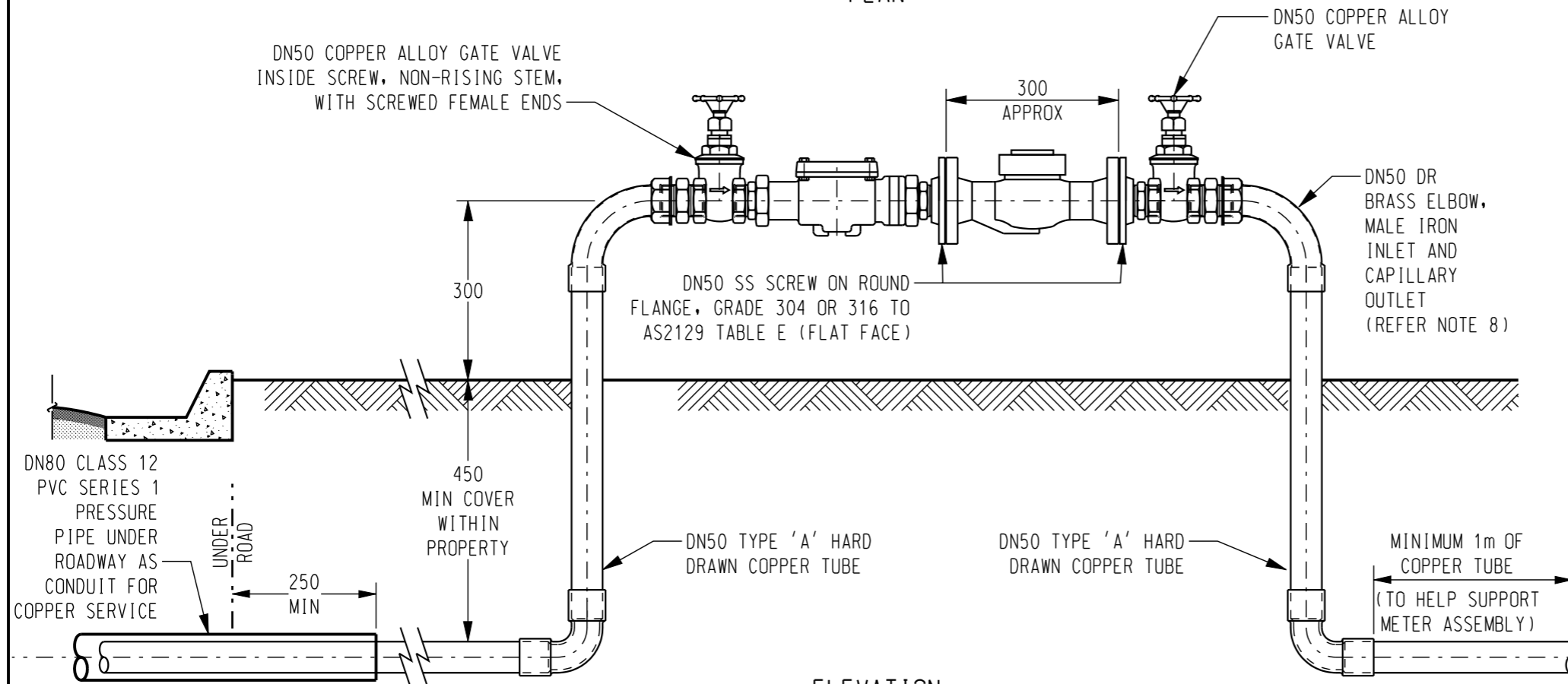


PLAN



ELEVATION

NOTES:

1. ALL DIMENSIONS IN MILLIMETRES UNLESS NOTED OTHERWISE.
2. COPPER ALLOY SHALL BE DEZINCIFICATION RESISTANT (DR) TO AS2345.
3. ONLY POWER AND WATER (OR ITS AUTHORISED CONTRACTORS) ARE PERMITTED TO TAP EXISTING, IN-SERVICE (LIVE) MAINS OR MAINS THAT HAVE BEEN HYDROSTATICALLY TESTED. WITHIN LICENCED AREAS AND UPON PAYMENT OF THE NECESSARY FEES, POWER AND WATER WILL PERFORM TAPPING OF LIVE MAINS, HOWEVER, EXCAVATION, ALL MATERIALS AND INSTALLATION SHALL BE SUPPLIED BY THE CONTRACTOR.
4. THE LAND OWNER IS REQUIRED TO DETERMINE THE RISK OF CONTAMINATION OF THE POTABLE WATER SUPPLY DUE TO CROSS CONNECTIONS AND WHERE MEDIUM HAZARD AND HIGH HAZARD RISKS ARE IDENTIFIED (REFER AS/NZS3500), PROVIDE APPROPRIATE BACKFLOW DEVICES AFTER THE METER. (REFER TO DRAWING W1-1-27).
5. FOR DETAILS OF APPROVED PRODUCTS USE ON THIS DRAWING, REFER TO THE WATER AND SEWERAGE INFRASTRUCTURE PRODUCTS MANUAL.
6. ON COMPLETION OF WATER SERVICE, PROVIDE BRASS PLUG FITTED TO OUTLET OF GATE VALVE.
7. USE SILVER BRAZING ALLOY (MIN 2% SILVER TO AS1167.1) FOR ALL CAPILLARY JOINTING OF COPPER PIPES AND FITTINGS.
8. WHERE SEPARATE BACKFLOW DEVICES ARE FITTED BY THE LAND OWNER IN ACCORDANCE WITH NOTE 4 ABOVE, POWER AND WATER WILL NOT FIT A DUAL CHECK VALVE.
9. WHERE A FIRE SYSTEM IS CONNECTED TO THE PRIVATE MAIN, COMPLY WITH BUILDING CODE OF AUSTRALIA REQUIREMENTS AS FOLLOWS:
 - SECURE VALVE IN OPEN POSITION WITH A PADLOCKED METAL STRAP.
 - PADLOCK SHALL BE OF TYPE APPROVED BY NTFRS; AND,
 - ATTACH A NON-FERROUS METAL TAG LABELLED WITH 8mm MINIMUM HEIGHT UPPER CASE WORDING "FIRE SERVICE VALVE - SECURE OPEN - CLOSE ONLY FOR MAINTENANCE".
10. PROVIDE PROTECTIVE GUARD AS PER STD DRG W1-1-08 IF POWER AND WATER DEEM NECESSARY FOR TRAFFICABLE AREAS. GUARD IS NOT REQUIRED ON THE FENCED SIDE.

DRAWING SERVICES
Power and Water Corporation
NORTHERN TERRITORY

NO	DESCRIPTION	DRN	DATE	CKD	APPD
10	METER CHANGED TO MATCH W1-1-19C.	R.G.I	JUN'10	R.J.	R.J.
9	DUAL CHECK VALVE CODE CHANGED.	R.G.I	MAR'09	R.J.	C.H.
8	MIN COVER NOTE AMENDED. NOTE 10 ADDED.	R.G.I	NOV'08	R.J.	J.P.
7	DIMENSION ADDED - OWNED AND FITTED BY PWC.	R.G.I	AUG'08	R.J.	J.P.
6	PARTS OWNED AND FITTED BY POWER AND WATER CHANGED.	R.G.I	APR'07	R.J.	J.P.
5	DRAWING REVISED.	R.G.I	OCT'06	R.J.	J.P.
4	NOTES 7 AND 8 ADDED.	R.G.I	FEB'99	C.S.P	N.W.M.
3	PIPE COVER NOTE CHANGED IN ACCORDANCE WITH AS 3500. NOTE 1 CHANGED. AND NOTE 6 ADDED.	R.G.I	APR'97	pmc	N.W.M.

PowerWater
NORTHERN TERRITORY

DES	-
DRN	pmc
CKD	N.S.
APPD	A.MANN
SCALE	1:10
ISSUED	MAY'93
ALL DIM.	IN mm
DRAFTING STANDARD TO	A.S.1100

WATER STANDARD DRAWING

SERVICES
50 mm WATER SERVICE - COPPER

A3 DRAWING NUMBER W1-1-04

CAD PRODUCT - DO NOT AMEND MANUALLY

AMDT