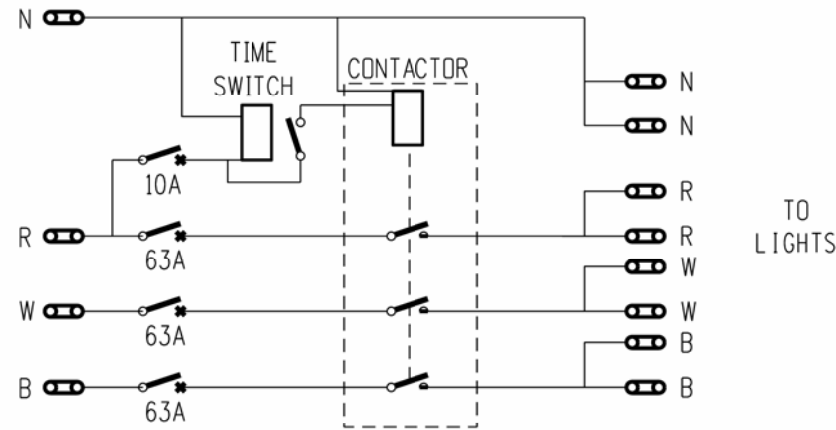
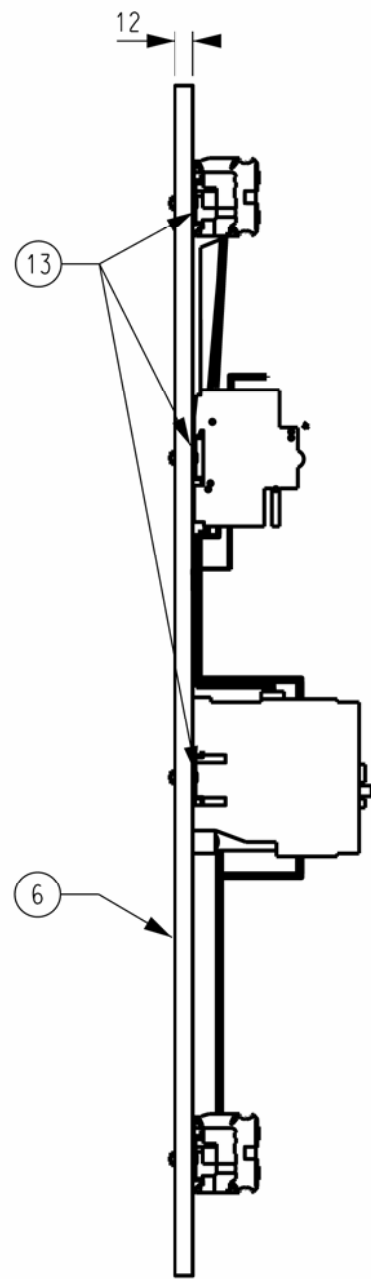
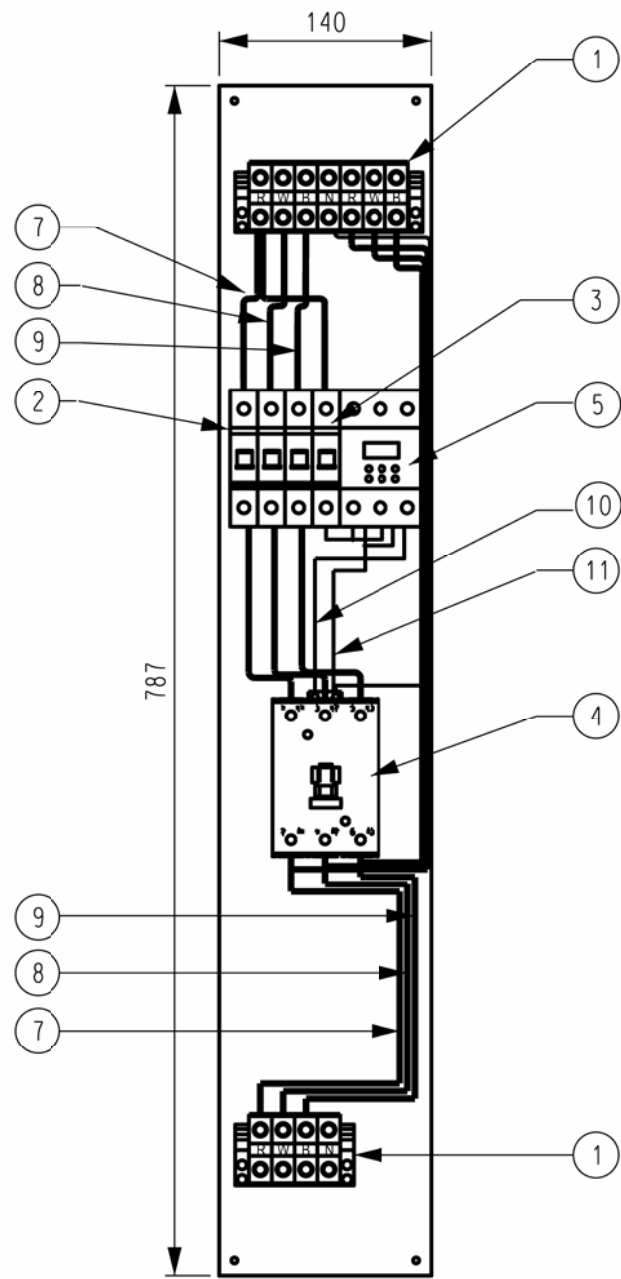


TECHNICAL DATA

MAX VOLTAGE 415V
 MAX CURRENT 63A
 POWER WIRING TO BE 10sq mm

NOTES

- REFER TO DRAWING No. S03-1-5-11 FOR CONTROL PANEL FABRICATION DETAILS.
- REFER TO DRAWING No. S03-1-5-16 FOR ASTRO TIMER PROGRAMING DETAILS.



WIRING SCHEMATIC

STOCK CODE: 7377

13	1	DIN RAIL	-	-
11	<2m	CABLE BLACK 1.5 Sq mm	1693	-
10	<2m	CABLE RED 1.5 Sq mm	20016	-
9	<2m	CABLE BLUE 10 Sq mm	151290	-
8	<2m	CABLE WHITE 10 Sq mm	151332	-
7	<2m	CABLE RED 10 Sq mm	1602	-
6	1	FORMICA PANEL	-	S03-1-5-11
5	1	ASTRO TIMER	412553	S03-1-5-16
4	1	CONTACTOR 63A C/W 240V COIL	235085	-
3	1	CIRCUIT BREAKER 10A, DIN MINIATURE CB 10kA	251827	-
2	3	CIRCUIT BREAKER 63A, DIN MINIATURE CB 10kA	406763	-
1	7	TERMINAL BLOCK-600VAC,100A,16-35sqmm	7229	-
TAG No	QTY.	DESCRIPTION	STOCK CODE	DRG REF

8	TIME SWITCH CHANGED TO ASTRO TIMER	J.C.	APR'11	B.C.	S.C.
7	STOCK CODE ADDED	J.C.	NOV'08	B.C.	S.C.
6	TERMINAL BLOCK IN BOTTOM OF PANEL ADDED	A.S.	JUNE'07	B.C.	S.C.

NO	DESCRIPTION	DRN	DATE	CKD	APPD
AMENDMENTS					

PowerWater

DES C.C. POWER STANDARD DRAWING

DRN E.G.

CKD T.M.L

APPD B.T.K.

SCALE 1:5

ISSUED JAN '90

ALL DIM. IN mm

DRAFTING STANDARD TO A.S.1100

**CONTROL DATA
 TIME CONTROL PACK
 WIRING DIAGRAM & DETAILS**

A3

DRAWING NUMBER

S03-1-5-8

CAD PRODUCT - DO NOT AMMEND MANUALLY

