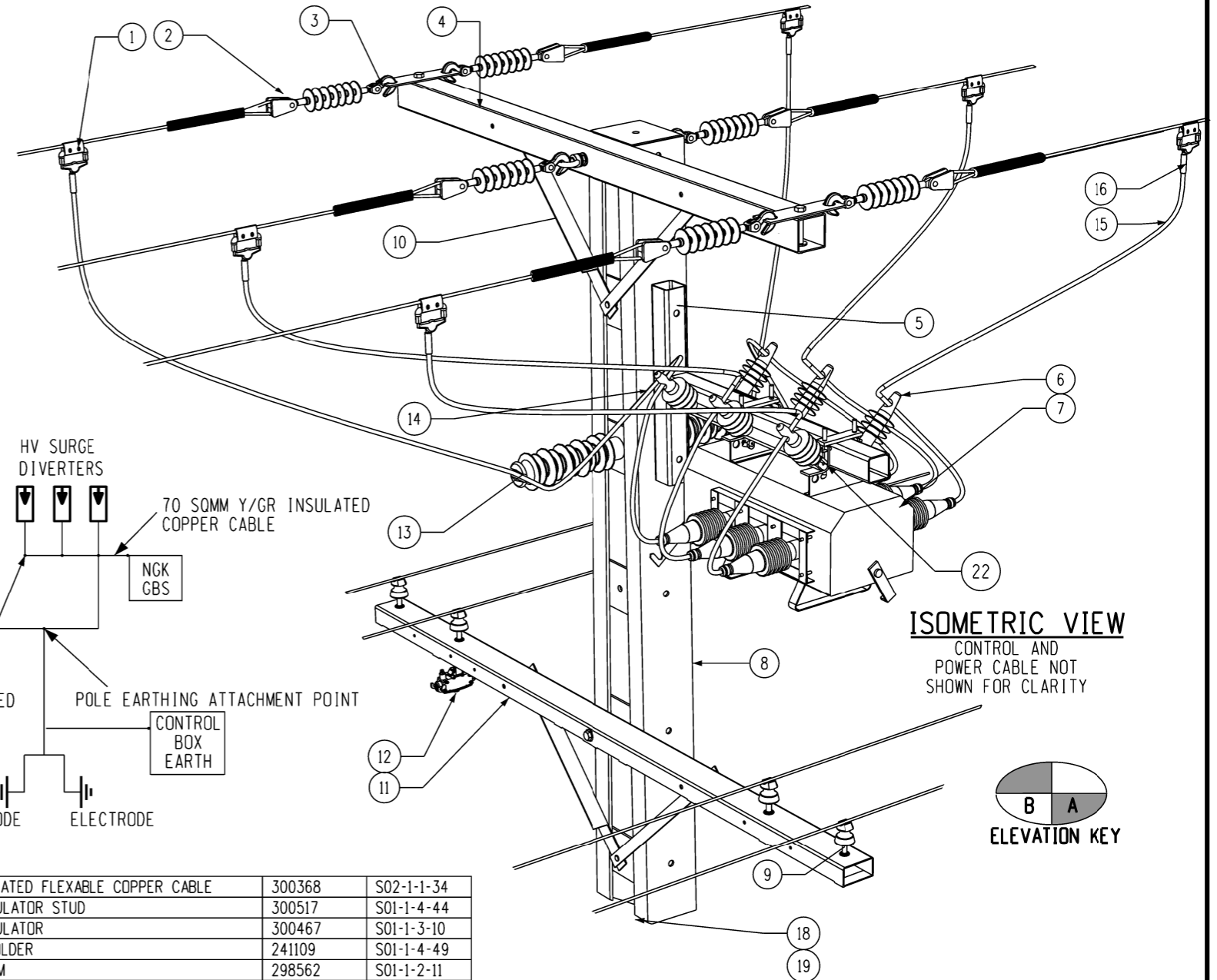
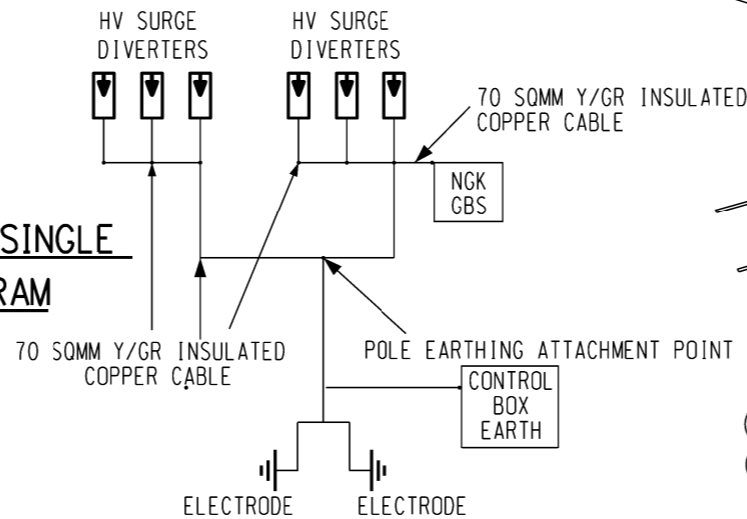


EARTHING SINGLE LINE DIAGRAM



NOTES

- REFER TO S01-2-3-11, S01-2-3-12 OR S01-2-3-13 FOR UNDERGROUND EARTHING DETAILS. IF EARTHING RESISTANCE EXCEEDS 30 OHMS WITH ALL CMEN/MEN CONNECTIONS REMOVED, THE POLE NEEDS TO BE ASSESSED IN ACCORDANCE WITH EGO/AS7000.
- BOND SWITCH EARTH TO NEAREST SURGE ARRESTOR EARTH STUD VIA 70 SQMM YELLOW/GREEN INSULATED COPPER CABLE.
- FIT SERVICE FUSE HOLDER WITH 63A FUSE.
- REFER TO SHEET 2 FOR ALTERNATIVE POWER SUPPLY ARRANGEMENTS.
- RUN THE CONTROL CABLE UP THE MIDDLE OF THE POLE, EXCESS CONTROL CABLE TO BE LOOPED NEAR THE SWITCH.
- FOR A NON-AUTOMATED INSTALLATION, ITEMS 12, 17, 18, 19 AND 20 ARE NOT REQUIRED.
- FOR DETAILS ON SCADA AND COMMUNICATIONS REQUIREMENTS, REFER TO S01-2-7-16.
- CONTROL BOX POWER SUPPLY CABLE SHALL BE PROTECTED BY 20MM DIAMETER ANACONDA CONDUIT SECURED WITH HALF SADDLES TO THE POLE AT 1000MM INTERVALS. ALL OPEN ENDS OF CONDUITS SHALL BE POINTING TOWARDS THE GROUND.
- SOURCE LV SUPPLY FROM A TRANSFORMER WHICH IS UPSTREAM OF THE SWITCH.

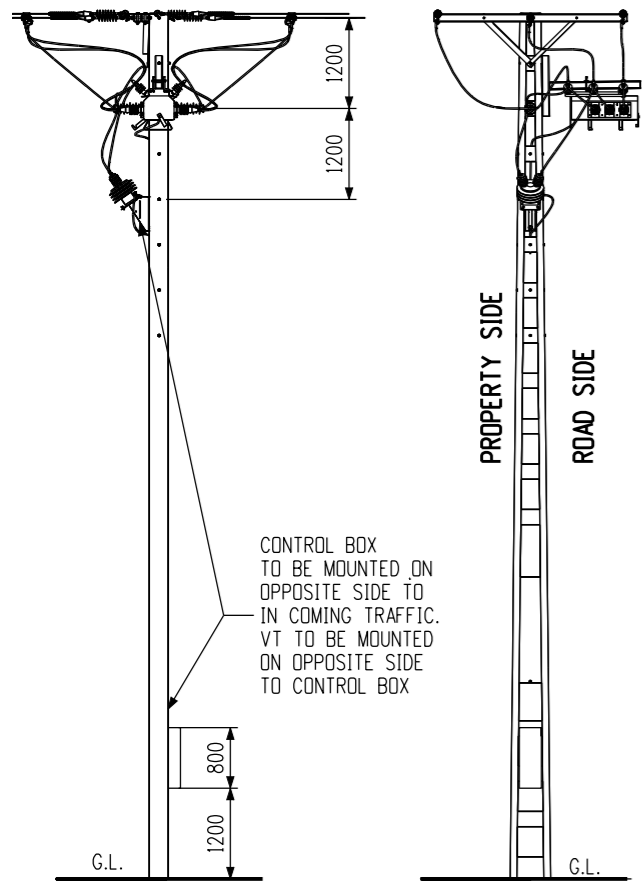
ITEM	QTY	DESCRIPTION	STOCK CODE	DWG	ITEM	QTY	DESCRIPTION	STOCK CODE	DWG
15	AR	150 SQMM EPR INSULATED FLEXIBLE COPPER CABLE	300368	S02-1-1-34	22	2	SURGE ARRESTOR MOUNT	413103	S01-1-6-17
14	2	22KV POST TOP INSULATOR STUD	300517	S01-1-4-44	21	AR	70 SQMM YELLOW/GREEN INSULATED COPPER CABLE	401059	S02-1-1-23
13	2	22KV POST TOP INSULATOR	300467	S01-1-3-10	20	1	63 AMP SERVICE FUSE	10322	
12	1	LV SERVICE FUSE HOLDER	241109	S01-1-4-49	19	AR	20MM ANACONDA CONDUIT FOR POWER SUPPLY CABLE	-	
11	1	4 WIRE LV CROSSARM	298562	S01-1-2-11	18	AR	2.5 SQMM LV INSULATED CABLE FOR POWER SUPPLY	2725	S02-1-1-14
10	4	FLAT CROSSARM BRACES	298687	S01-2-1-49	17	1	NGK GBS CONTROL ENCLOSURE, INCLUDES BATTERY, BATTERY CHARGER, RADIO AND 10M OF CONTROL CABLE	402362	
9	4	LV INSULATOR PINS TYPE LP AND LPN		S01-2-1-03	16	12	BELL MOUTHED LUGS FOR 150 SQMM FLEX CABLE	402692	S02-1-2-11
8	1	LINE POLE							
7	1	REMOTE OPERATED NGK GBS	400812	S01-1-6-17					
6	6	HV SURGE ARRESTORS		S01-1-4-19					
5	1	NGK GBS HANGING BRACKET	400813	S01-1-6-17					
4	1	FIBREGLASS HV TERMINATION CROSSARM	414398	S01-1-2-10					
3	2	FIBREGLASS CROSSARM SHACKLE PLATE	406938	S01-1-4-37					
2	6	22KV STRAIN INSULATOR ASSEMBLY		S01-1-3-09					
1	6	DISCONNECT TEE	2295	S01-1-4-10					

MATERIAL SCHEDULE

NO	DESCRIPTION	DRN	DATE	CKD	APPD
14	ITEM 4, 19 UPDATED, NOTE 8, 9 ADDED	A.T.	NOV'11	B.C.	S.C.
13	NOTE 6 ADDED	A.T.	AUG'11	B.N.	S.C.
12	UPDATED TO AUTOMATED CONSTRUCTION	J.C.	MAR'11	A.T.	S.C.
AMENDMENTS					

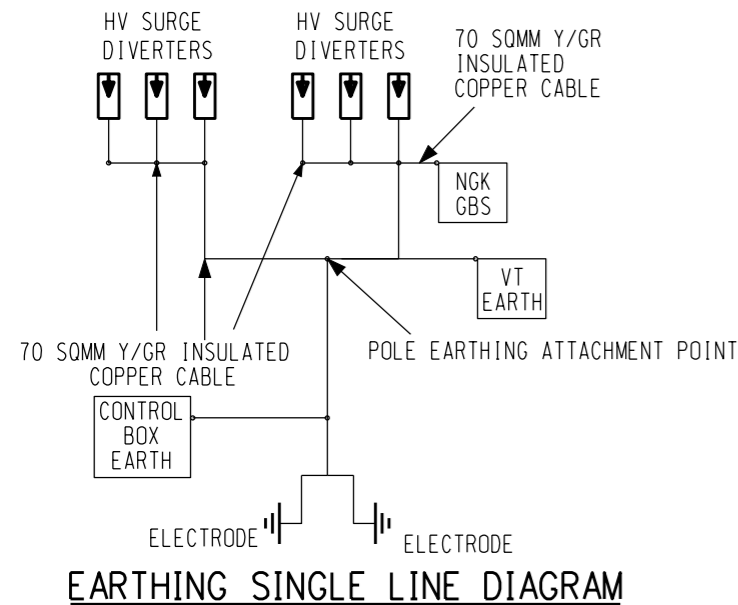


DES	A. TAYLOR	POWER STANDARD DRAWING		
DRN	J. COPPINS	ASSEMBLIES FOR UNIVERSAL POLE CONSTRUCTION SF6 GAS LOAD BREAK SWITCH		
CKD	A. TAYLOR			
APPD	A. TAYLOR			
SCALE	N.T.S.			
ISSUED	MAR'2011	A3	DRAWING NUMBER	S01-2-7-11_1
ALL DIM.	IN mm			
DRAFTING STANDARD TO A.S.1100		CAD PRODUCT - DO NOT AMEND MANUALLY		AMDT



ELEVATION "A"

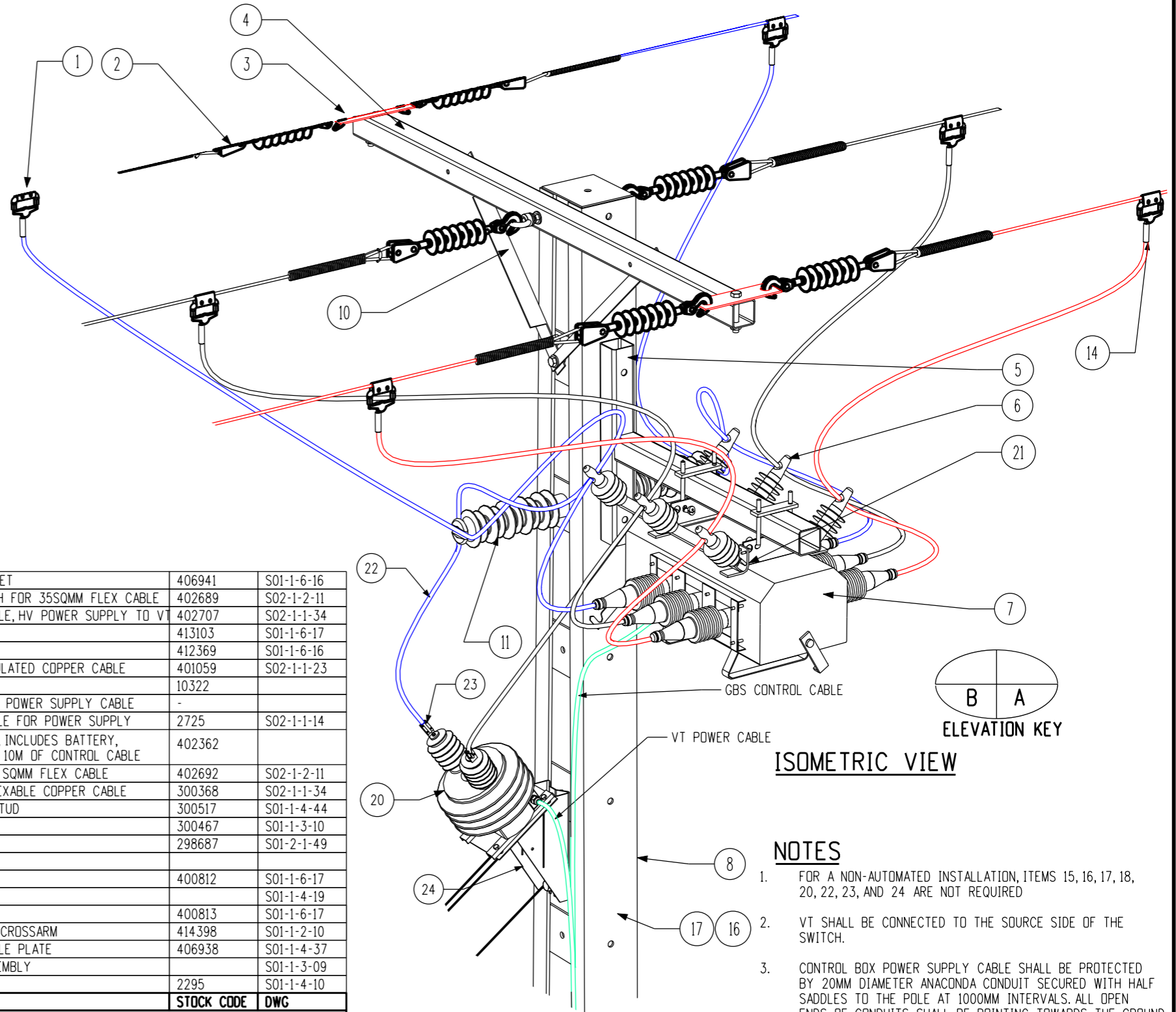
ELEVATION "B"



EARTHING SINGLE LINE DIAGRAM

ITEM NO	DESCRIPTION	STOCK CODE	DWG
24	1 VT MOUNTING ADAPTOR BRACKET	406941	S01-1-6-16
23	4 CDMPRESSION LUG, BELL MOUTH FOR 35SQMM FLEX CABLE	402689	S02-1-2-11
22	AR 35SQMM FLEX INSULATED CABLE, HV POWER SUPPLY TO V	402707	S02-1-1-34
21	2 SURGE ARRESTOR MOUNT	413103	S01-1-6-17
20	1 VOLTAGE TRANSFORMER	412369	S01-1-6-16
19	AR 70 SQMM YELLOW/GREEN INSULATED COPPER CABLE	401059	S02-1-1-23
18	1 63 AMP SERVICE FUSE	10322	
17	AR 20MM ANACONDA CONDUIT FOR POWER SUPPLY CABLE	-	
16	AR 2.5 SQMM LV INSULATED CABLE FOR POWER SUPPLY	2725	S02-1-1-14
15	1 NGK GBS CONTROL ENCLOSURE, INCLUDES BATTERY, BATTERY CHARGER, RADIO AND 10M OF CONTROL CABLE	402362	
14	12 BELL MOUTHED LUGS FOR 150 SQMM FLEX CABLE	402692	S02-1-2-11
13	AR 150 SQMM EPR INSULATED FLEXIBLE COPPER CABLE	300368	S02-1-1-34
12	2 22KV POST TOP INSULATOR STUD	300517	S01-1-4-44
11	2 22KV POST TOP INSULATOR	300467	S01-1-3-10
10	4 FLAT CROSSARM BRACES	298687	S01-2-1-49
8	1 LINE POLE		
7	1 REMOTE OPERATED NGK GBS	400812	S01-1-6-17
6	6 HV SURGE ARRESTORS		S01-1-4-19
5	1 NGK GBS HANGING BRACKET	400813	S01-1-6-17
4	1 FIBREGLASS HV TERMINATION CROSSARM	414398	S01-1-2-10
3	2 FIBREGLASS CROSSARM SHACKLE PLATE	406938	S01-1-4-37
2	6 22KV STRAIN INSULATOR ASSEMBLY		S01-1-3-09
1	6 DISCONNECT TEE	2295	S01-1-4-10
ITEM NO	DESCRIPTION	STOCK CODE	DWG

MATERIAL SCHEDULE



ISOMETRIC VIEW

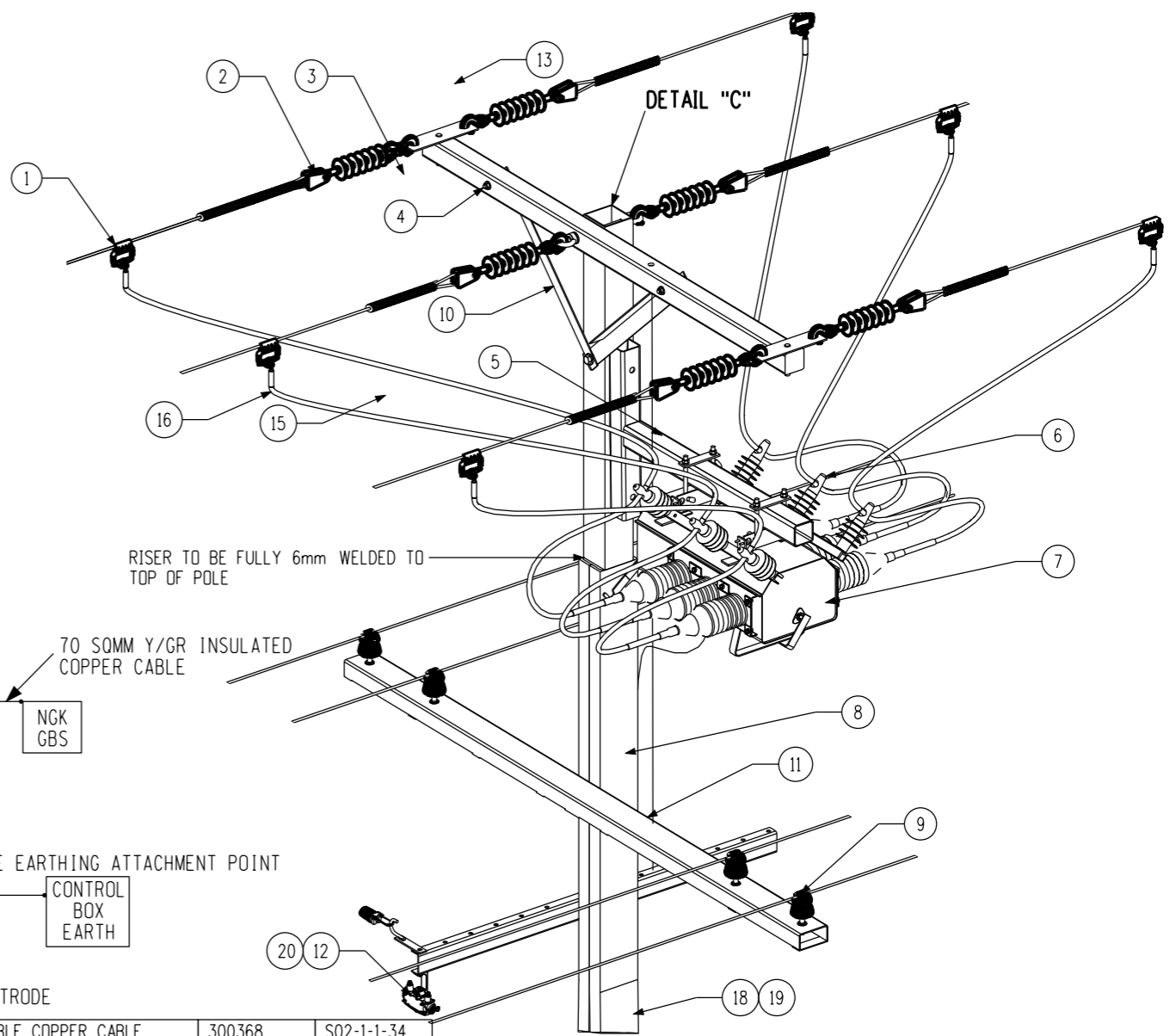
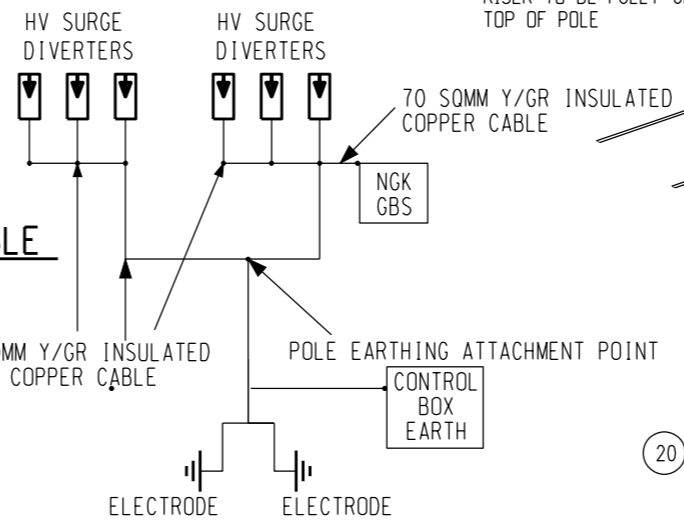
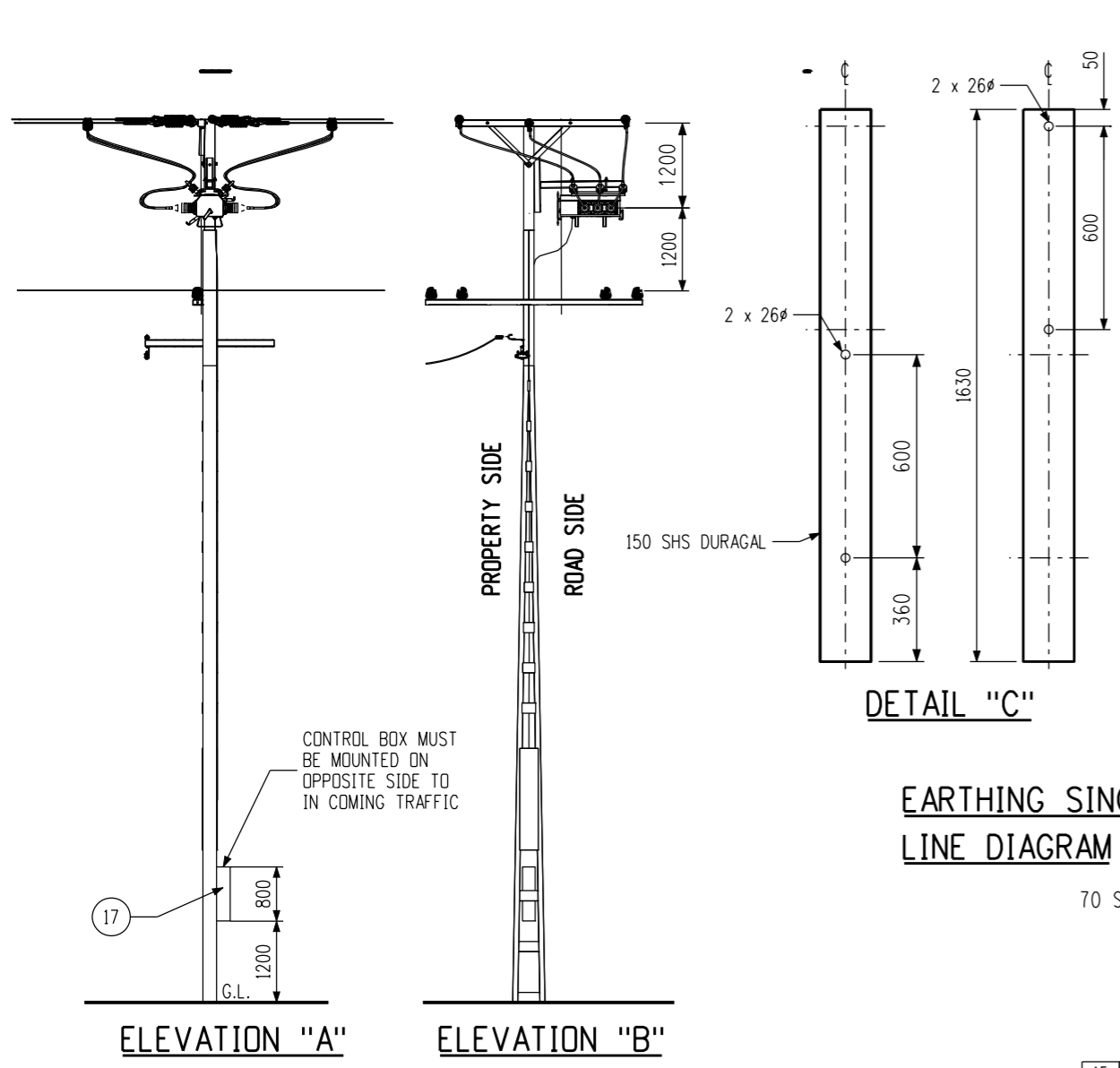
NOTES

- FOR A NON-AUTOMATED INSTALLATION, ITEMS 15, 16, 17, 18, 20, 22, 23, AND 24 ARE NOT REQUIRED
- VT SHALL BE CONNECTED TO THE SOURCE SIDE OF THE SWITCH.
- CONTROL BOX POWER SUPPLY CABLE SHALL BE PROTECTED BY 20MM DIAMETER ANACONDA CONDUIT SECURED WITH HALF SADDLES TO THE POLE AT 1000MM INTERVALS. ALL OPEN ENDS OF CONDUITS SHALL BE POINTING TOWARDS THE GROUND.

NO	DESCRIPTION	DRN	DATE	CKD	APPD
5	ITEMS 4, 17 UPDATED, NOTE 3 ADDED	A.T.	NOV'11	B.C.	S.C.
4	ITEMS 22, 23, 24 AND NOTE 1 ADDED, ITEM 3, 4 CHANGED	C.C.	SEP'11	B.C.	S.C.
3	POWER SUPPLY ARRANGEMENT UPDATED	J.C.	MAR'11	A.T.	S.C.
AMENDMENTS					



DES	A.TAYLOR	POWER STANDARD DRAWING		
DRN	J.COPPINS	ASSEMBLIES		
CKD	A.TAYLOR	FOR UNIVERSAL POLE CONSTRUCTION		
APPD	A.TAYLOR	SF6 GAS LOAD BREAK SWITCH		
SCALE	N.T.S.	A3	DRAWING NUMBER	S01-2-7-11_2
ISSUED	MAR'2011			
ALL DIM.	IN mm			AMDT
DRAFTING STANDARD TO A.S.1100		CAD PRODUCT - DO NOT AMEND MANUALLY		



NOTES

- REFER TO S01-2-3-11, S01-2-3-12 OR S01-2-3-13 FOR UNDERGROUND EARTHING DETAILS. IF EARTHING RESISTANCE EXCEEDS 30 OHMS WITH ALL CMEN/MEN CONNECTIONS REMOVED, THE POLE NEEDS TO BE ASSESSED IN ACCORDANCE WITH EGO/AS7000.
- BOND SWITCH EARTH TO NEAREST SURGE ARRESTOR EARTH STUD VIA 70 SQMM YELLOW/GREEN INSULATED COPPER CABLE.
- FIT SERVICE FUSE HOLDER WITH 63A FUSE.
- REFER TO SHEET 2 FOR ALTERNATIVE POWER SUPPLY ARRANGEMENTS.
- RUN THE CONTROL CABLE UP THE MIDDLE OF THE POLE, EXCESS CONTROL CABLE TO BE LOOPED NEAR THE SWITCH.
- FOR A NON-AUTOMATED INSTALLATION, ITEMS 12, 17, 18, 19 AND 20 ARE NOT REQUIRED.
- FOR DETAILS ON SCADA AND COMMUNICATIONS REQUIREMENTS REFER TO S01-2-7-16.
- SOURCE LV POWER SUPPLY FROM A TRANSFORMER UPSTREAM OF THE SWITCH.
- CONTROL BOX POWER SUPPLY CABLE SHALL BE PROTECTED BY 20MM DIAMETER ANACONDA CONDUIT SECURED WITH HALF SADDLES TO THE POLE AT 1000MM INTERVALS. ALL OPEN ENDS OF CONDUITS SHALL BE POINTING TOWARDS THE GROUND.

ITEM	QTY	DESCRIPTION	STOCK CODE	DWG	ITEM	QTY	DESCRIPTION	STOCK CODE	DWG
15	AR	150 SQMM EPR INSULATED FLEXABLE COPPER CABLE	300368	S02-1-1-34	23	1	150x150x1480x6 SHS DURAGAL HV RISER	DETAIL "C"	
14	2	22KV POST TOP INSULATOR STUD	300517	S01-1-4-44	22	2	SURGE ARRESTOR MOUNT	413103	S01-1-6-17
13	2	22KV POST TOP INSULATOR	300467	S01-1-3-10	21	AR	70 SQMM YELLOW/GREEN INSULATED COPPER CABLE	401059	S02-1-1-23
12	1	LV SERVICE FUSE HOLDER	241109	S01-1-4-49	20	1	63 AMP SERVICE FUSE	10322	
11	1	4 WIRE LV CROSSARM	298562	S01-1-2-11	19	-	ANACONDA CONDUIT FOR POWER SUPPLY CABLE		
10	2	CROSSARM ANGLE BRACES	400815	S01-2-1-49	18	-	LV INSULATED CABLE FOR POWER SUPPLY		
9	4	LV INSULATOR PINS TYPE LP AND LPN		S01-2-1-03	17	1	NGK GBS CONTROL ENCLOSURE, INCLUDES BATTERY, BATTERY CHARGER, RADIO, CONTROL AND POWER CABLE	402362	
8	1	LINE POLE WELDED TYPE			16	12	BELL MOUTHED LUGS FOR 150 SQMM FLEX CABLE	402692	S02-1-2-11
7	1	REMOTE OPERATED NGK GBS	400812	S01-1-6-17					
6	6	HV SURGE ARRESTORS		S01-1-4-19					
5	1	125x125x1200x6 SHS DURAGAL GBS HANGING BRACKET	400813	S01-1-6-17					
4	1	FIBREGLASS HV TERMINATION CROSSARM	414398	S01-1-2-10					
3	2	FIBREGLASS CROSSARM SHACKLE PLATE	406938	S01-1-4-37					
2	6	22KV STRAIN INSULATOR ASSEMBLY		S01-1-3-09					
1	6	DISCONNECT TEE	2295	S01-1-4-10					
ITEM QTY DESCRIPTION STOCK CODE DWG					ITEM QTY DESCRIPTION STOCK CODE DWG				

MATERIAL SCHEDULE		POWER STANDARD DRAWING		
DES	A. TAYLOR	ASSEMBLIES FOR WELDED POLE CONSTRUCTION SF6 GAS LOAD BREAK SWITCH		
DRN	J. COPPINS			
CKD	A. TAYLOR			
APPD	A. TAYLOR			
SCALE	N.T.S.			
ISSUED	MAR'2011	A3	DRAWING NUMBER	S01-2-7-11_3
ALL DIM.	IN mm			
DRAFTING STANDARD TO A.S.1100		CAD PRODUCT - DO NOT AMEND MANUALLY		

NO	DESCRIPTION	DRN	DATE	CKD	APPD
2	ITEM 4, 19 UPDATED, NOTE 8, 9 ADDED	A.T.	NOV'11	B.C.	S.C.
1	NOTE 6 ADDED	A.T.	AUG'11	B.N.	S.C.
0	ISSUED FOR CONSTRUCTION	J.C.	APR'11	A.T.	S.C.

