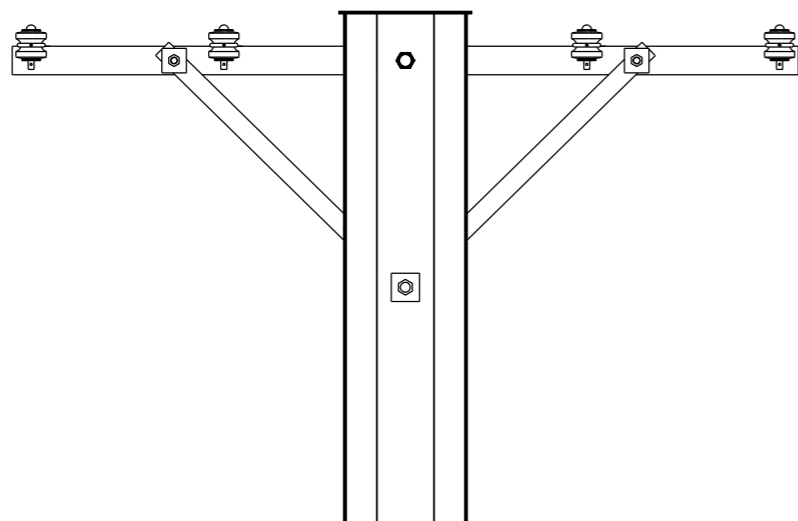
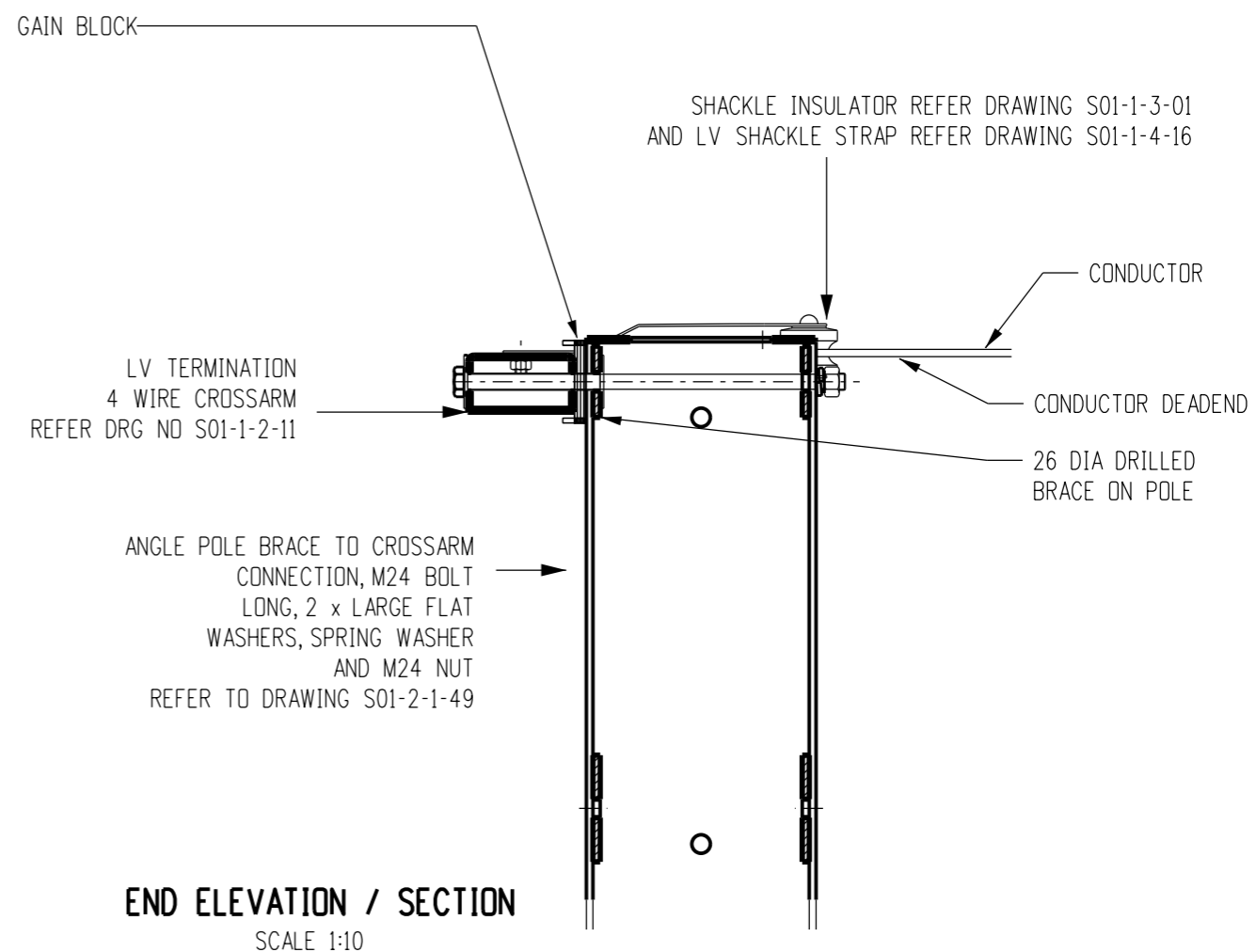


PLAN
SCALE 1:20



ELEVATION
SCALE 1:20



NO	DESCRIPTION	DRN	DATE	CKD	APPD
0	ISSUED FOR CONSTRUCTION	C.C.	JUNE '11	A.T.	B.C.
AMENDMENTS					



DES	A. TAYLOR	POWER STANDARD DRAWING		
DRN	C. COPPINS	ASSEMBLIES INSULATORS ON LV 'd' TOP FOR ROUND POLE CONSTRUCTION		
CKD	A. TAYLOR			
APPD	B. CHEUNG	A3	DRAWING NUMBER	S01-2-1-61
SCALE	AS NOTED			
ISSUED	JULY '11	CAD PRODUCT - DO NOT AMEND MANUALLY		
ALL DIM. IN	mm			
DRAFTING STANDARD TO A.S.1100		AMDT		