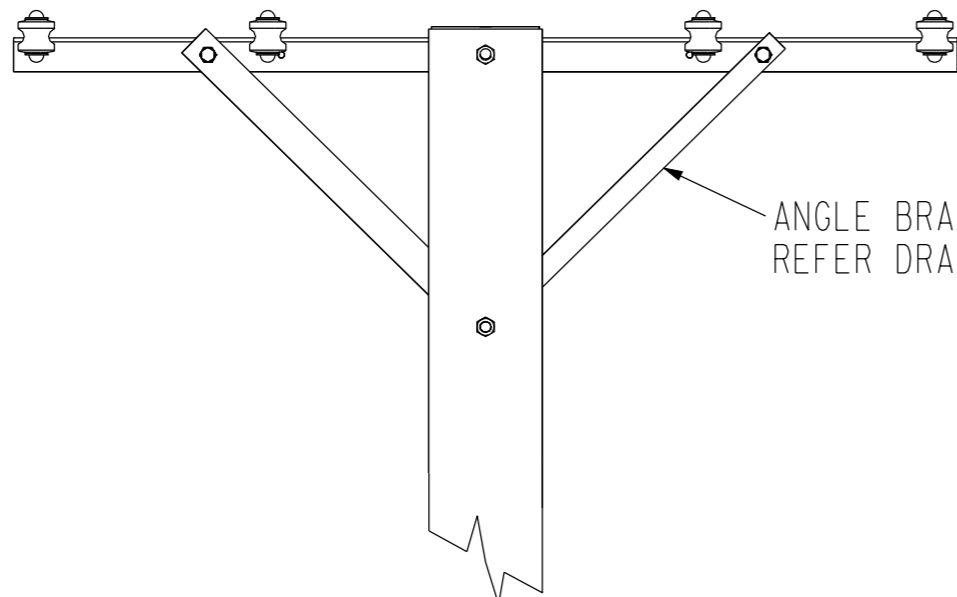


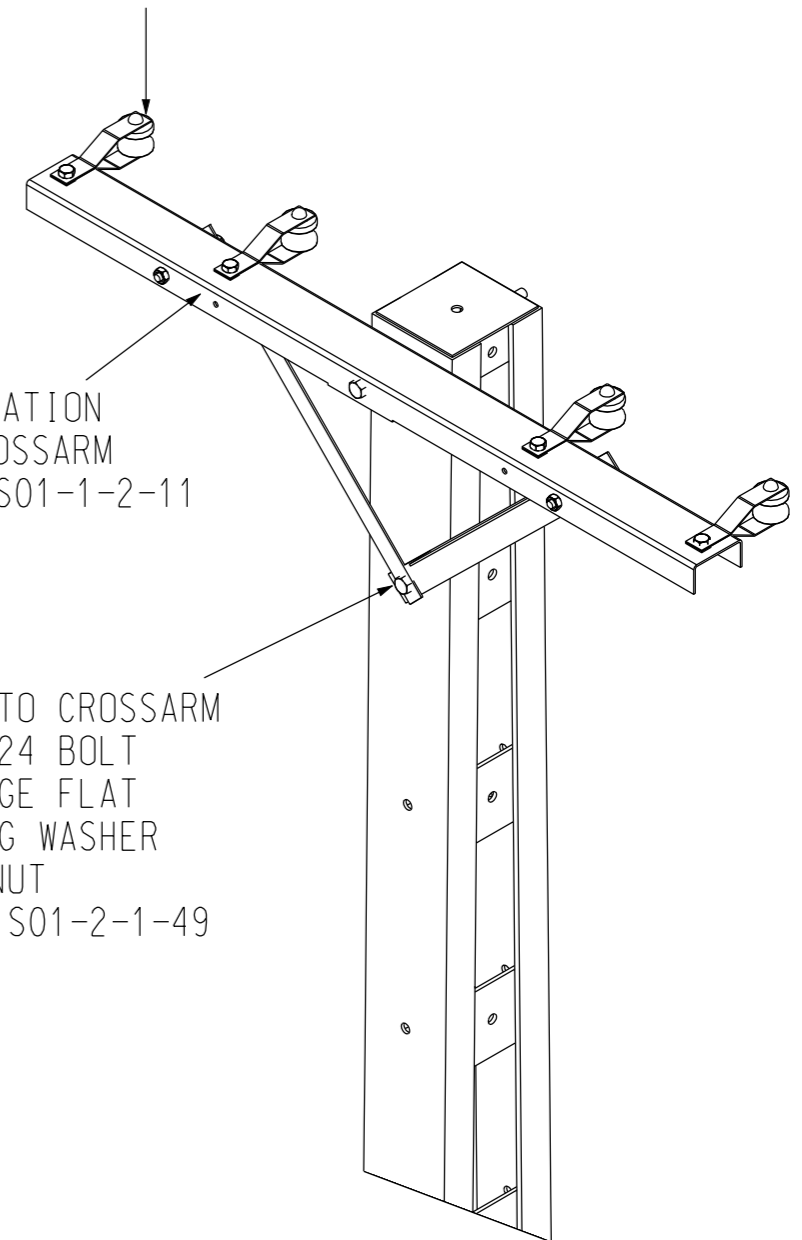
TOP VIEW



FRONT VIEW

ANGLE BRACE  
REFER DRAWING S01-2-1-49

SHACKLE INSULATOR REFER DRAWING S01-1-3-01  
AND LV SHACKLE STRAP REFER DRAWING S01-1-4-16



ISOMETRIC VIEW

LV TERMINATION  
4 WIRE CROSSARM  
REFER DRG NO S01-1-2-11

ANGLE POLE BRACE TO CROSSARM  
CONNECTION, M24 BOLT  
LONG, 2 x LARGE FLAT  
WASHERS, SPRING WASHER  
AND M24 NUT  
REFER TO DRAWING S01-2-1-49

NO	DESCRIPTION	DRN	DATE	CKD	APPD
0	ISSUED FOR CONSTRUCTION	C.C.	DEC'11	A.T.	S.C.
AMENDMENTS					



DES	A. TAYLOR	POWER STANDARD DRAWING		
DRN	C. COPPINS	<b>ASSEMBLIES INSULATORS ON LV 'd' TOP FOR UNIVERSAL POLE CONSTRUCTION</b>		
CKD	A. TAYLOR			
APPD	S.C.			
SCALE	1:1			
ISSUED	JULY '11			
ALL DIM. IN	mm	A3	DRAWING NUMBER	S01-2-1-28
DRAFTING STANDARD TO A.S.1100		CAD PRODUCT - DO NOT AMEND MANUALLY		AMDT