

F82 MESH

MAX 3 150 ϕ CHECK EXACT LOCATION

MAX 4 x ϕ 100 1 x ϕ 80

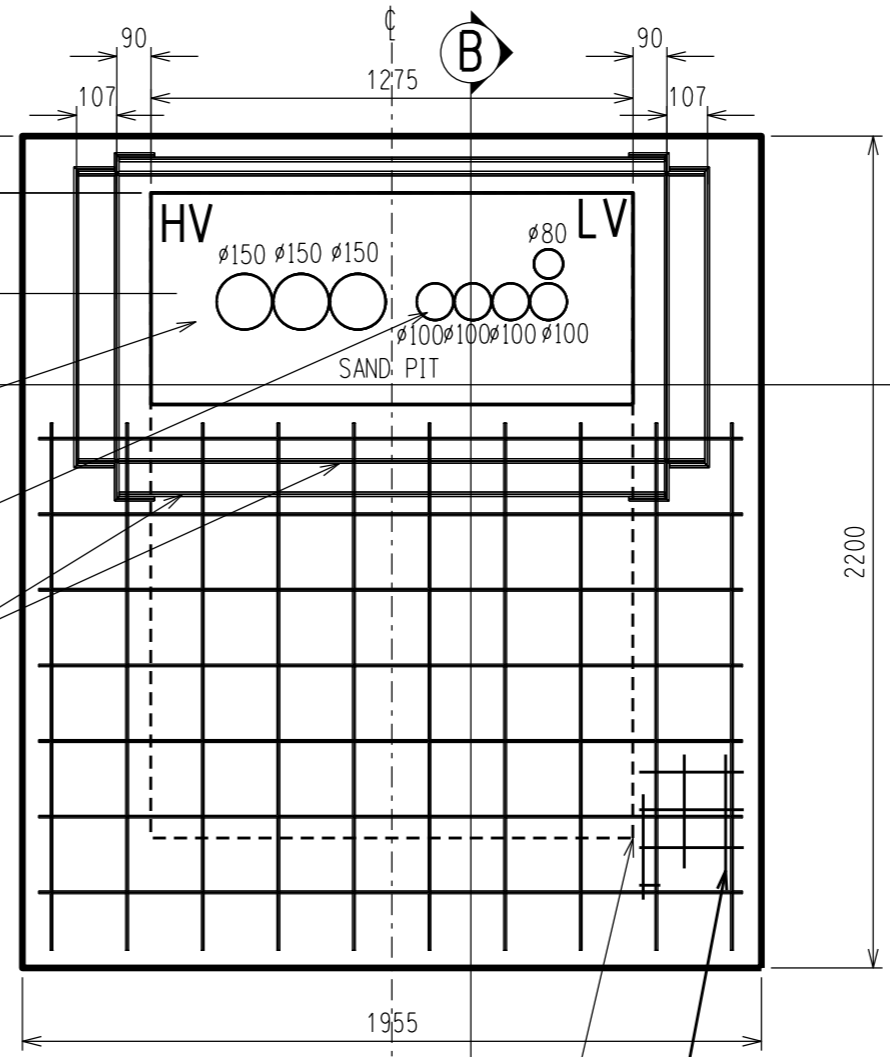
2-Y12 BARS TOP AND BOTTOM

2-Y12 BARS TOP AND BOTTOM

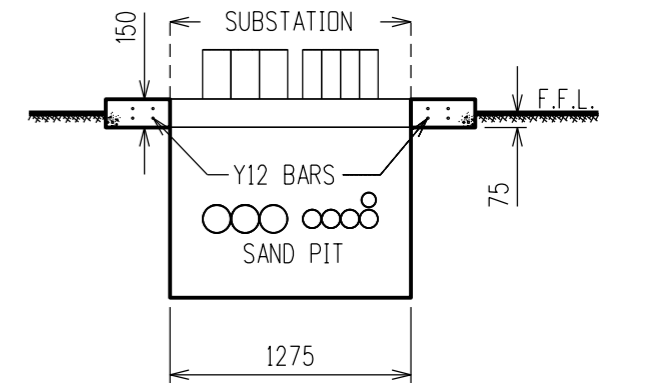
ISOMETRIC VIEW

CONCRETE SLAB MADE TRANSPARENT FOR VISUAL CLARITY

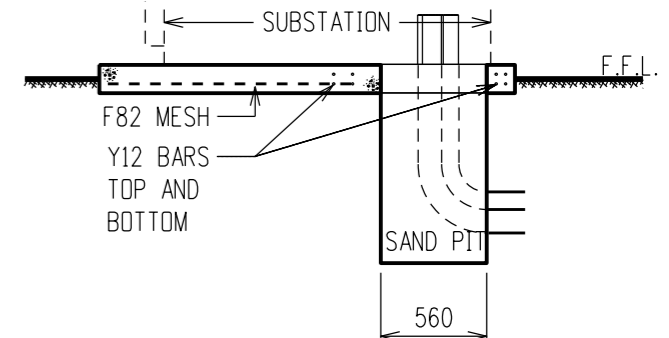
PLAN VIEW
SCALE 1:20



OUTLINE OF PACKAGE SUB
F82 MESH 50mm BIM COVER MIN



SECTION "A"
SCALE 1:40



SECTION "B"
SCALE 1:40

NOTES:

- ACCESS TO THE SUBSTATION WORKING FACE MUST BE CLEAR AT ALL TIMES.
- WHERE DUCT RUNS EXCEED 3m A 16g SYNTHETIC DRAW WIRE SHALL BE INSTALLED IN ALL SPARE DUCTS: THERE SHALL BE AT LEAST 2m SPARE COILED JUST INSIDE THE CAP.
- EARTHING SHALL BE INSTALLED IN ACCORDANCE WITH DRG S02-2-5-01 ,THE BUILDER IS TO GIVE 24 Hrs NOTICE OF INTENTION TO POUR SLAB.
- NO BUILDING SERVICES (INCLUDING DRAINAGE, SEWERAGE, WATER PIPES AND ELECTRICAL WIRING) OTHER THAN THOSE ESSENTIAL TO THE SUBSTATION OPERATION SHALL PROTRUDE INTO THE SUBSTATION AREA.
- WHERE THE SUBSTATION IS NOT ON THE PROPERTY BOUNDARY THE CONSUMER SHALL PROVIDE R.C. OR RIGID PVC PIPES (ORANGE) FROM THE SUBSTATION ENTRY TO THE PROPERTY BOUNDARY. THE SIZE OF THE CONDUITS AND THE ROUTE THAT THEY ARE TO FOLLOW IS TO BE DETERMINED BY THE PWC REGIONAL ENGINEER OR APPROPRIATE TECHNICAL OFFICER.
- THE BUILDER IS TO GIVE 48 Hrs NOTICE OF INTENTION TO BACKFILL DUCT TRENCHES.
- CONCRETE SHALL BE CLASS 20/20 IN ACCORDANCE WITH AS 3600.
- AFTER COMPACTION AN APPROVED MOISTURE BARRIER SUCH AS 0.5mm BLACK NYLON SHEETING IS TO BE CAREFULLY PLACED ON THE SAND SO AS TO COVER THE ENTIRE SURFACE.
- TO PREVENT PLANT GROWTH A 25mm THICK LAYER OF GROUT (8 : 1 SAND/CEMENT MIX) OR AN ALTERNATIVE MATERIAL "GRANITE GUARD" MARKETED BY CSIRO IS TO BE LAID IN THE HV AND LV CABLE ENTRY PITS AFTER THE INSTALLATION OF CABLES AND CONDUITS.
- INNER SIDE EDGES OF THE SUBSTATION PLINTH TO SIT LEVEL WITH SIDES OF SAND PIT

NO	DESCRIPTION	DRN	DATE	CKD	APPD
18	CONDUIT ARRANGEMENT CHANGED	J.C.	JUN'11	A.T.	S.C
17	GROUND LEVEL CHANGED	J.C.	AUG'10	A.T.	S.C
16	HV AND LV CONDUIT POSITION CORRECTED	J.C.	JUN'10	A.T.	S.C
15	NOTE 10 ADDED SAND PIT DETAILS AMENDED	J.C.	MAY'09	A.T.	S.C
AMENDMENTS					



DES	W.E. BASSET	POWER STANDARD DRAWING		
DRN	R.P.P.	CIVIL PACKAGE SUBSTATION CABLE ENTRY AND FOUNDATION DETAILS		
CKD	G. Mc SHANAG			
APPD	I. CLK			
SCALE	AS SHOWN			
ISSUED	FEB'86	A3	DRAWING NUMBER	S02-2-6-09
ALL DIM.	IN mm			
DRAFTING STANDARD TO A.S.1100		CAD PRODUCT - DO NOT AMEND MANUALLY		