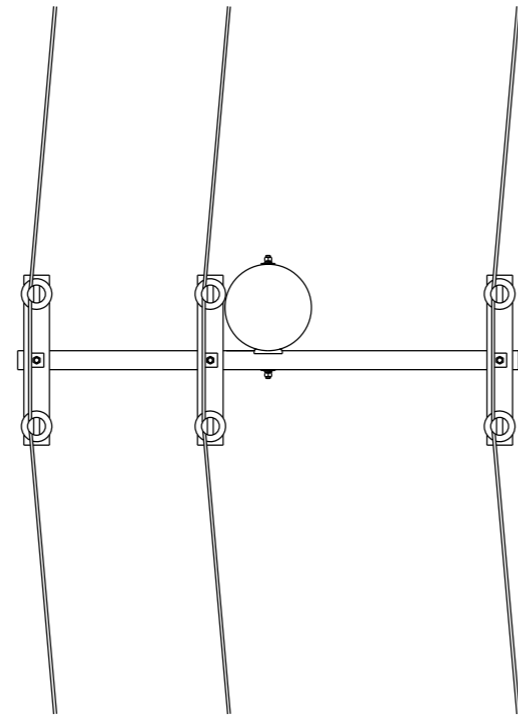
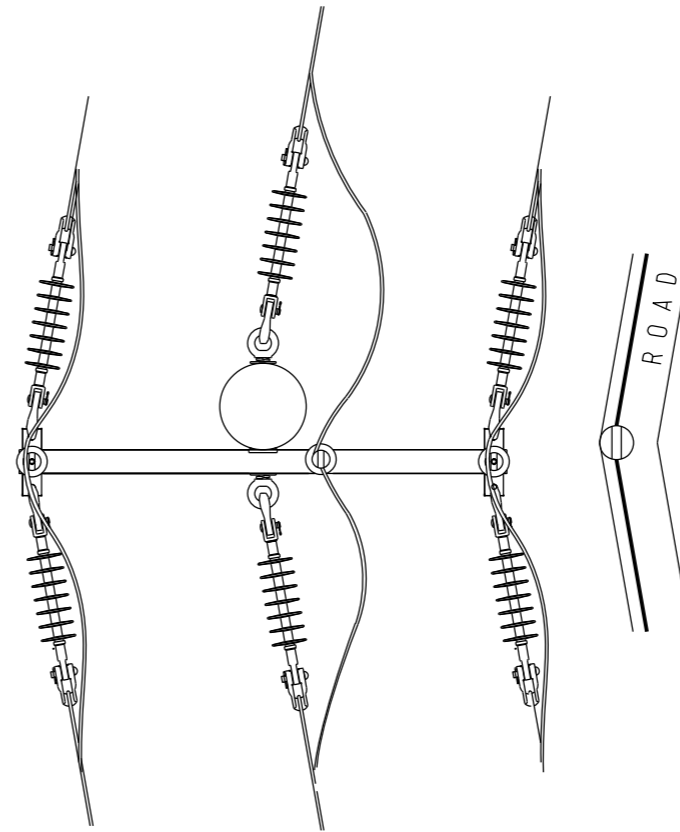


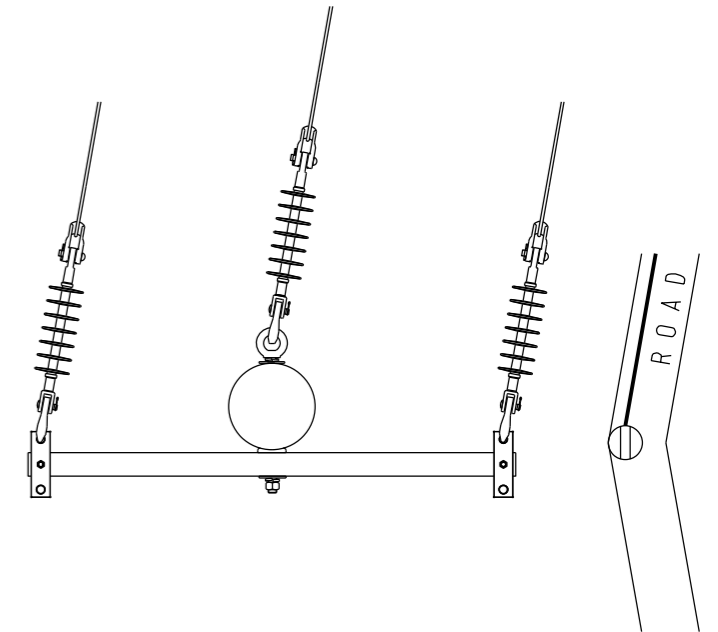
TYPE A
SCALE 1:40
REFER DRG S01-2-1-62



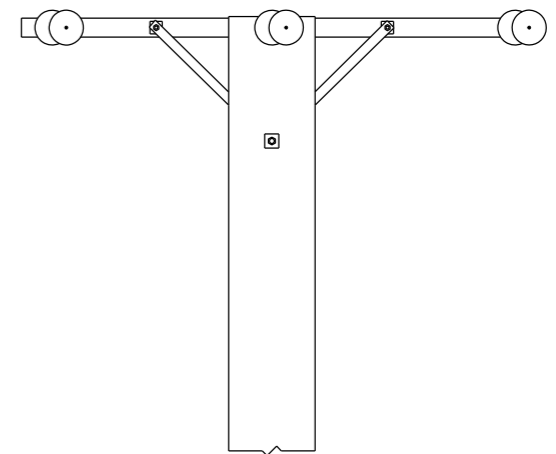
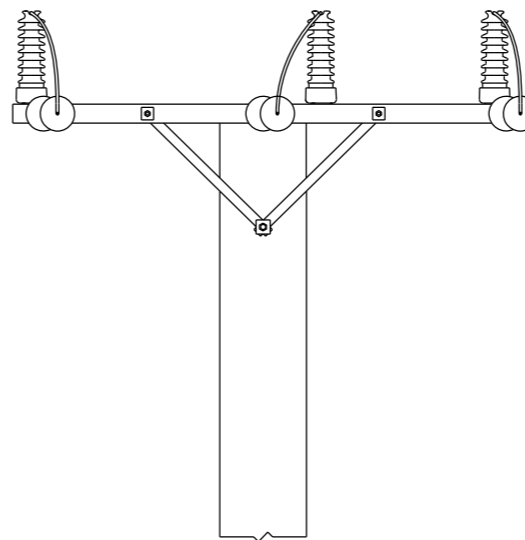
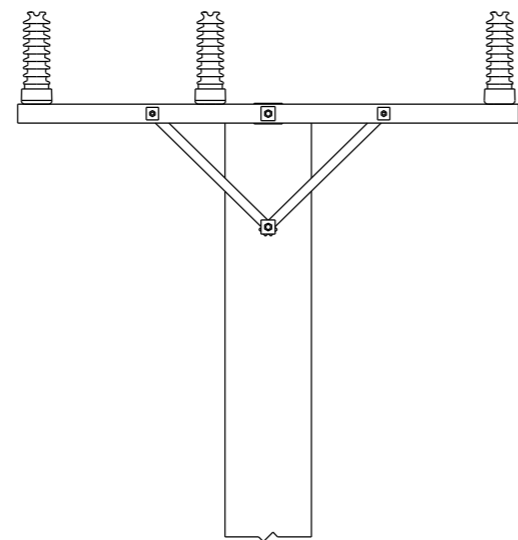
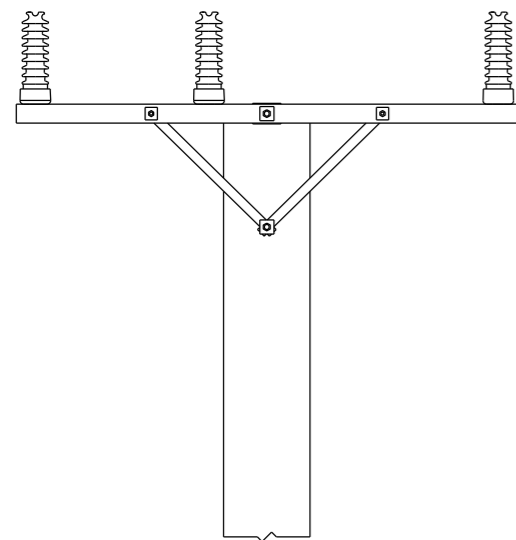
TYPE B
SCALE 1:40
REFER DRG S01-2-1-63



TYPE C
SCALE 1:40
REFER DRG S01-2-1-64
457MM DIA. POLE ONLY



TYPE D
SCALE 1:40
REFER DRG S01-2-1-65
457MM DIA. POLE ONLY



NO	DESCRIPTION	DRN	DATE	CKD	APPD
1 0	UPDATED CROSSARM 125x125 ISSUED FOR CONSTRUCTION	C.C. A.S.	DEC'11 JUNE '11	A.T. A.T.	B.C. B.C.
AMENDMENTS					



DES	A. TAYLOR	POWER STANDARD DRAWING	
DRN	A. SCHMIDT	POLE TOP UNITS HV TYPES A, B, C AND D FOR ROUND POLE CONSTRUCTION	
CKD	A. TAYLOR		
APPD	B. CHEUNG		
SCALE	1:40	A3	DRAWING NUMBER S01-2-2-44
ISSUED	JUNE '11		
ALL DIM.	IN mm	CAD PRODUCT - DO NOT AMEND MANUALLY	
DRAFTING STANDARD TO A.S.1100		AMDT	