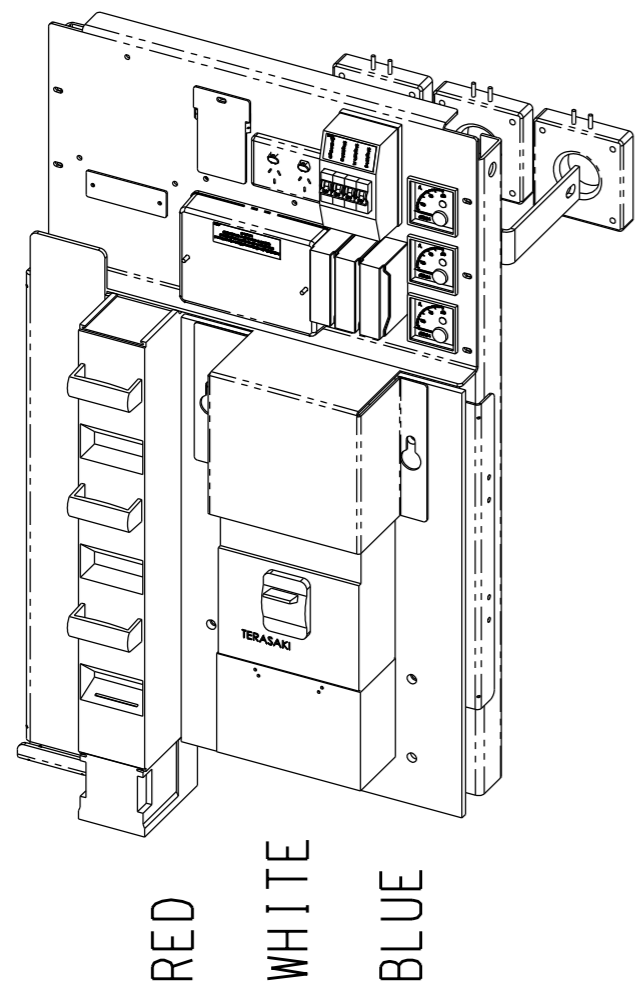


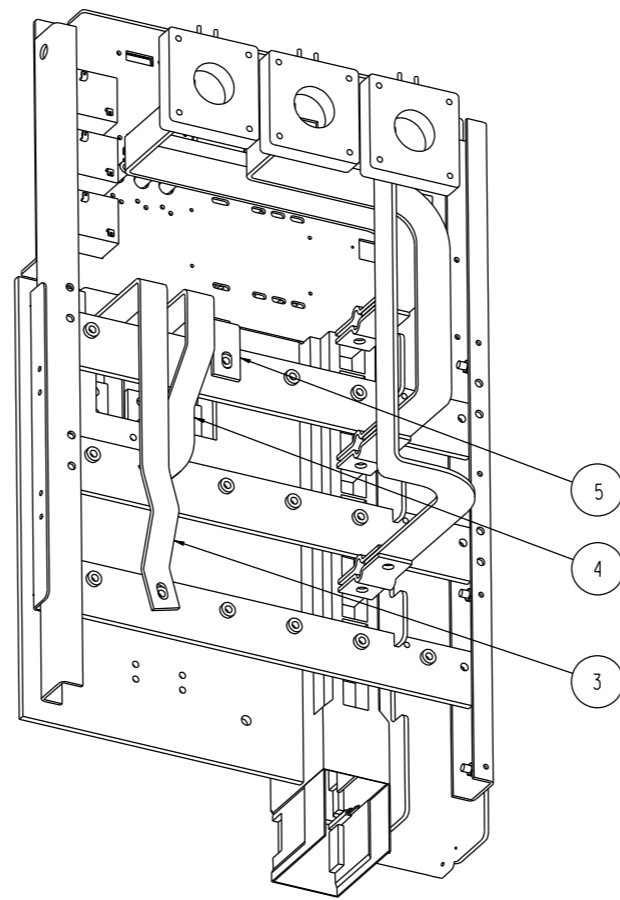
KIT CONTENTS	ITEM NO.	DESCRIPTION	QTY
	1	SUPPORT LV SWITCH TERASAKI CB	1
	2	INSULATOR STANDOFF M10	4
	3	BUSBAR BLUE	1
	4	BUSBAR WHITE	1
	5	BUSBAR RED	1
	6	BARRIER COVER	1
	7	TERASAKI MCCB	1
	8	TERASAKI TERM COVER	1

MCCB KIT	STOCK CODE
800A	414559
1250A	414560
1600A	414561

FRONT ASSEMBLED VIEW

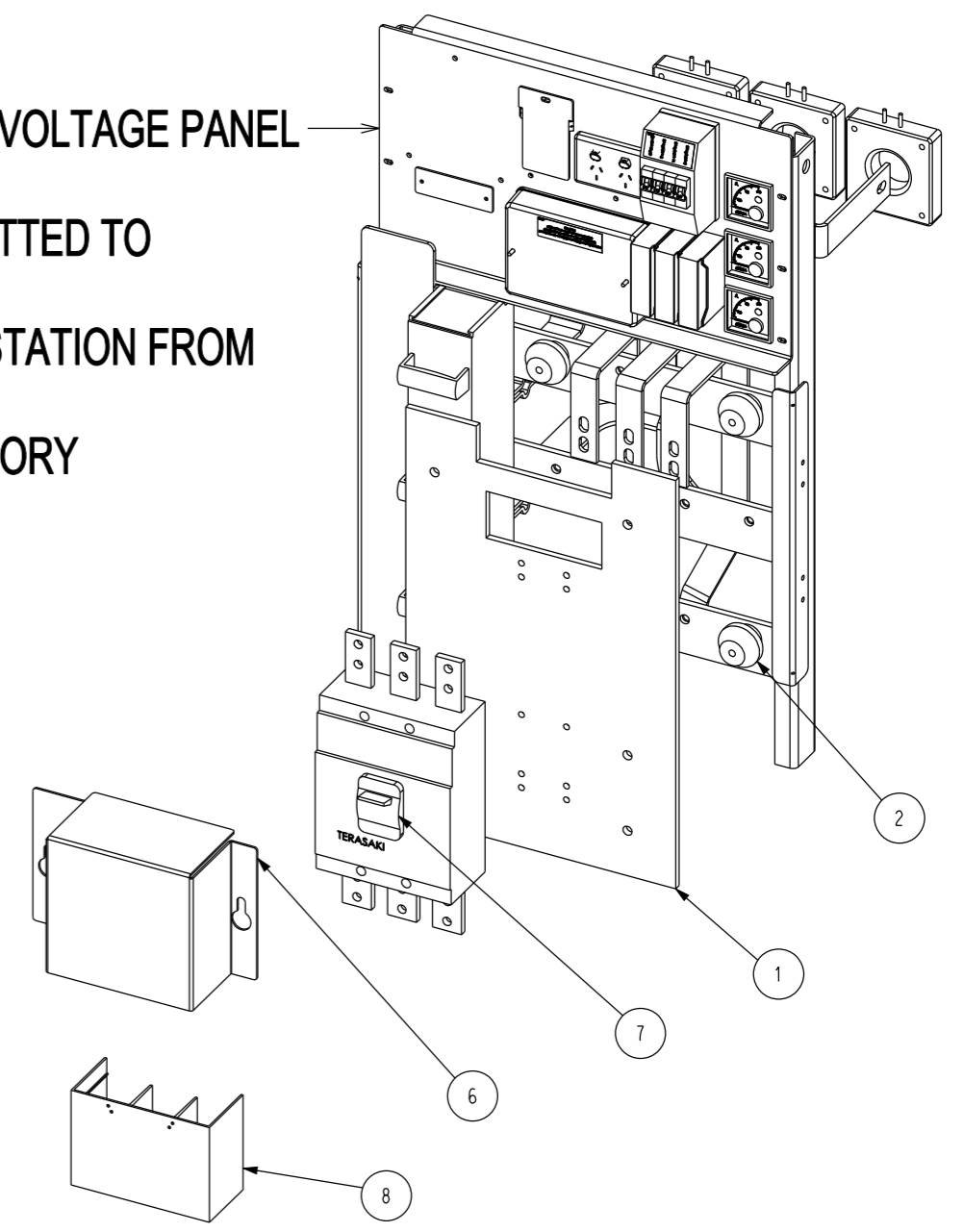


REAR ASSEMBLED VIEW



FRONT EXPLODED VIEW

LOW VOLTAGE PANEL
AS FITTED TO
SUBSTATION FROM
FACTORY



NO	DESCRIPTION	DRN	DATE	CKD	APPD
0	ISSUED FOR CONSTRUCTION	C.C.	OCT.11	A.T.	S.C.
AMENDMENTS					



DES	A.T.	POWER STANDARD DRAWING	
DRN	C.COPPINS	MCCB MOUNTING LOW VOLTAGE COMPARTMENT GENERAL ARRANGEMENT	
CKD	A.T.	A3	DRAWING NUMBER S02-2-8-03
APPD	S.C.		
SCALE	N.T.S.	DRAFTING STANDARD TO A.S.1100	
ISSUED	OCT'11	CAD PRODUCT - DO NOT AMEND MANUALLY	
ALL DIM. IN mm		AMDT	