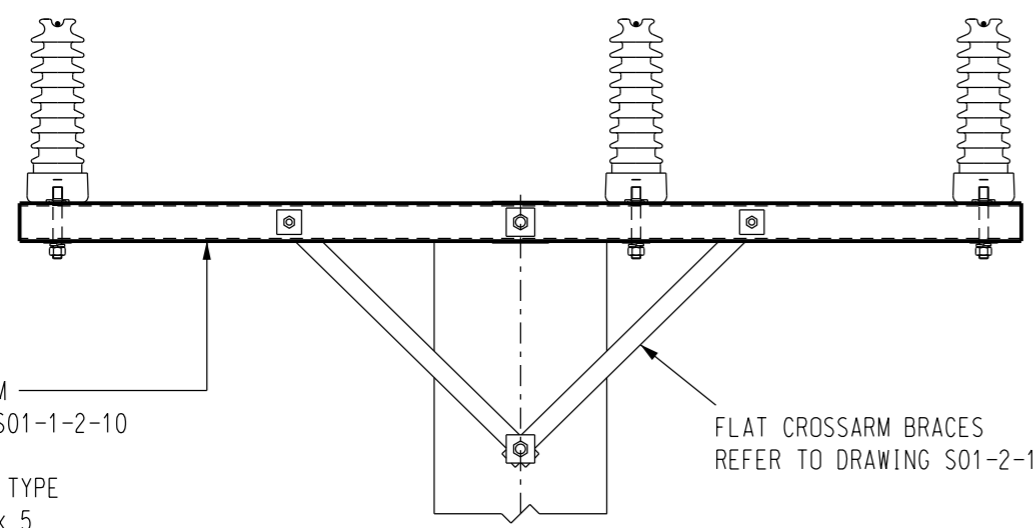


ALUMINIUM GAIN BLOCK

PLAN

SCALE 1:20



HV CROSSARM
REFER DRG S01-1-2-10
ITEM 9
FIBREGLASS TYPE
100 x 100 x 5

FLAT CROSSARM BRACES
REFER TO DRAWING S01-2-1-49

ELEVATION

SCALE 1:20

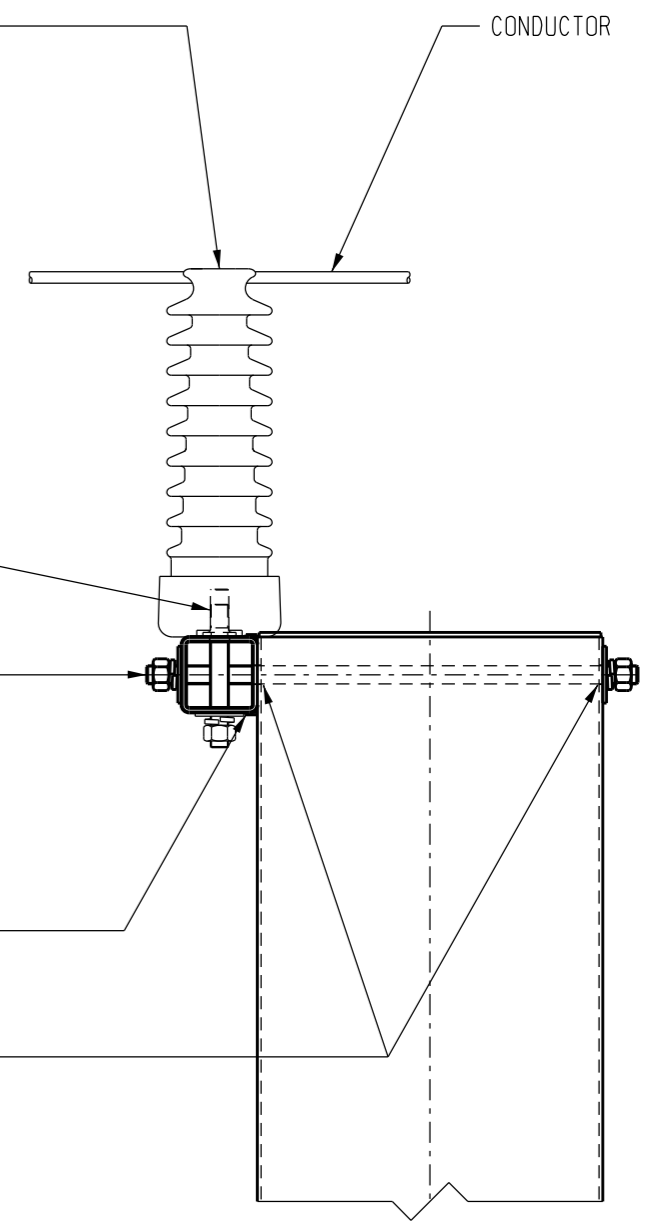
22KV VERTICAL LINE
POST INSULATOR
STOCK CODE 300467
REFER DRG S01-1-3-10

ALL INSULATORS, USE
M24 STUD, STOCK CODE
300483, REFER DWG.
S01-1-4-44

POLE BRACE TO CROSSARM
CONNECTION, M24 GALVANISED
THREADED ROD 650 LONG,
2 x LARGE FLAT WASHERS,
SPRING WASHER AND M24 NUT

ALUMINIUM GAIN BLOCK

26 DIA DRILLED
THROUGH POLE



CONDUCTOR

END ELEVATION

SCALE 1:10
CROSS BRACES NOT SHOWN

0	ISSUED FOR CONSTRUCTION	A.S.	JUNE '11	A.T.	B.C.
NO	DESCRIPTION	DRN	DATE	CKD	APPD
AMENDMENTS					



DES	A. TAYLOR	POWER STANDARD DRAWING			
DRN	A. SCHMIDT	ASSEMBLIES INSULATORS ON HV 'A' TOP FOR ROUND POLE CONSTRUCTION			
CKD	A. TAYLOR				
APPD	B. CHEUNG				
SCALE	1:10	A3	DRAWING NUMBER	S01-2-1-62	
ISSUED	JUNE '11				
ALL DIM.	IN mm	DRAFTING STANDARD TO A.S.1100		CAD PRODUCT - DO NOT AMEND MANUALLY	